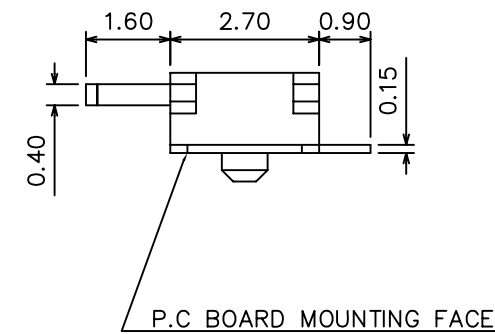
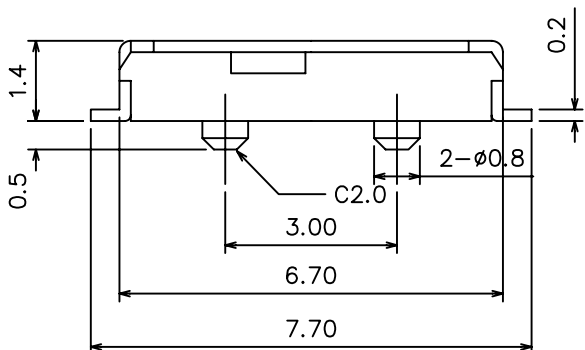
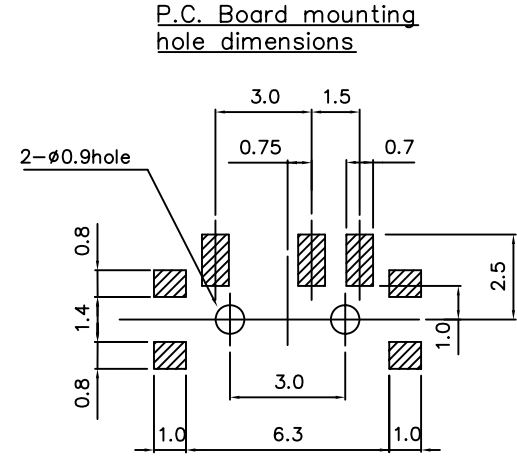
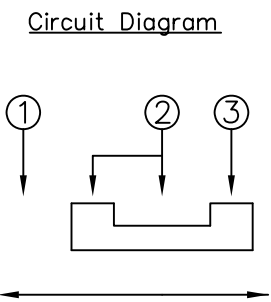
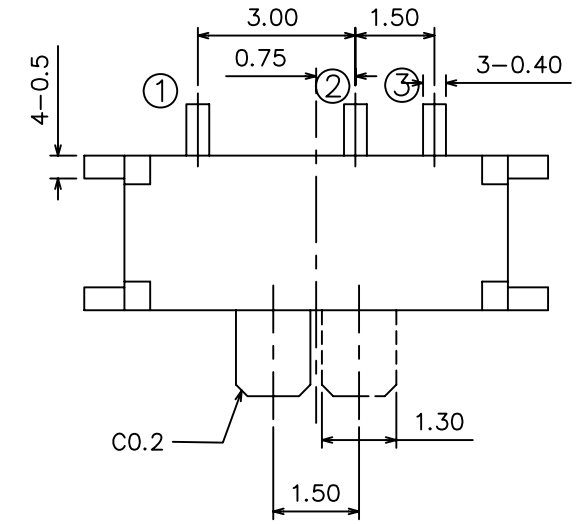


RoHS
Compatible

▲				
▲				
▲				
▲				
ZONE	REV	DESCRIPTION	DATE	APPD.



- Specification**
1. Rating : 0.3A 4V DC
 2. Contact resistance : 70mΩ Max.
 3. Operating force : 150±100gf
 4. Operating life : 10,000 cycle

達立科技股份有限公司
Dawning Precision Co., Ltd.
TEL: 886-2-82271388 FAX: 886-2-82272198

DESIGN	Will	SCALE		
DRAWING	Will	UNIT	mm	
CHECK	Will	SIZE	A4: 210*297	
APPROVAL	Eric	VERSION	01	

TOLERANCE UNLESS OTHERWISE STATED(mm)	PART NAME	SLIDE SWITCH
less than 10 — ±0.2	PART NO	SS-B90BP-W-SP-S100
10~30 — ±0.3	DRAWING NO	
30~100 — ±0.5	DATE	2008/06/27
ANGIE — ±2°		