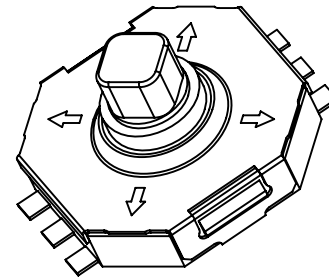
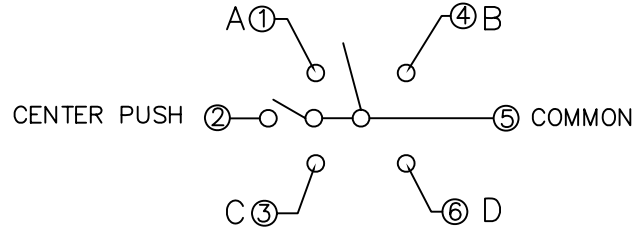


**RoHS**  
Compatible

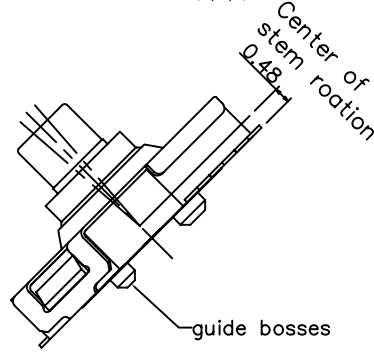
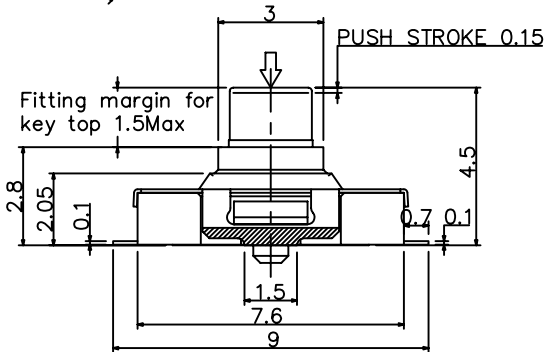
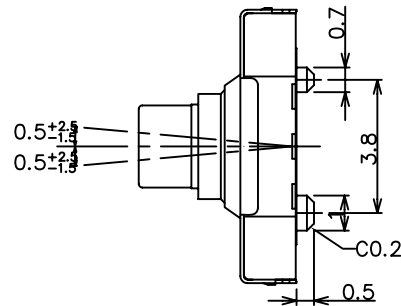
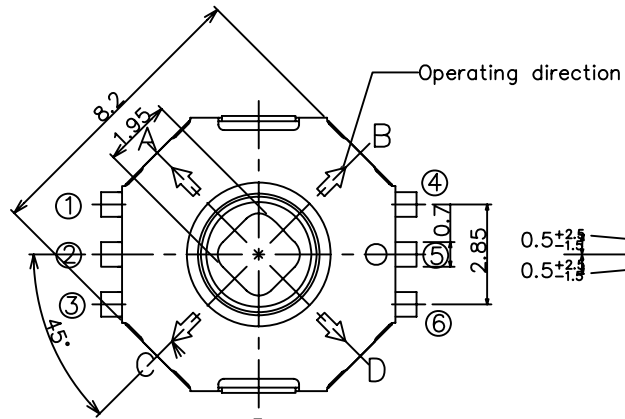
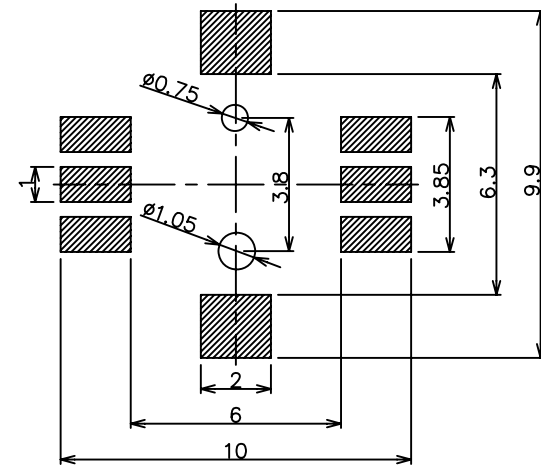
△				
△				
△				
△				
ZONE	REV	DESCRIPTION	DATE	APPD.

NO.	PART NAME	PART NO.	VOL.	REMARKS
1	BASE MOLD	TCS-10	1	LCP
2	TERMINAL	TTM-10	1	PBR Ag plated
3	CONTACT BLADE	TCP-7-2	4	SUS Ag plated
4	CONTACT BLADE	TCP-10	2	SUS Ag plated
5	DUST COVER	TFP-10	1	PI
6	PUSH BOTTON	TBN-10	1	LCP
7	CAM	TPC-10	1	LCP
8	COVER	TCV-10	1	SUS
9	CARRIER TAPE	CT-16-12D		
10	COVER TAPE	CT-16-8G-C		

Circuit diagram



P.C.B Mounting pattern Dimension



Specifications

1. Rating : 50mA 12V DC
2. Contact resistance : 100mΩ Max.
3. Insulation resistance : 100MΩ Min, 100V DC
4. Withstanding voltage : 250V AC for 1 minute.
5. Operating force : 4-direction: 1.6N or 1.0N  
center push : 3.2N
6. Operating life : 100,000 cycles
7. Operating temperature range : -20 to 70°
8. Storage temperature range : -40 to 85°

達立科技股份有限公司

**Dawning Precision Co., Ltd.**

TEL: 886-2-82271388 FAX: 886-2-82272198

DESIGN	Will	SCALE		
DRAWING	Will	UNIT	mm	
CHECK	Will	SIZE	A4: 210*297	
APPROVAL	Eric	VERSION	01	

TOLERANCE UNLESS OTHERWISE STATED(mm)	PART NAME	MULTIFUNCTION SWITCH
less than 10 — ±0.2	PART NO	K08
10~30 — ±0.3	DRAWING NO	
30~100 — ±0.5	DATE	2009/08/27
ANGIE — ±2°		