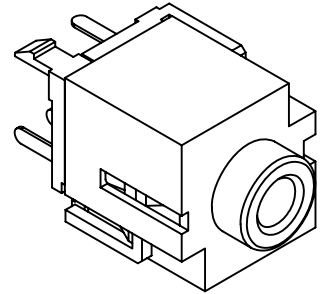
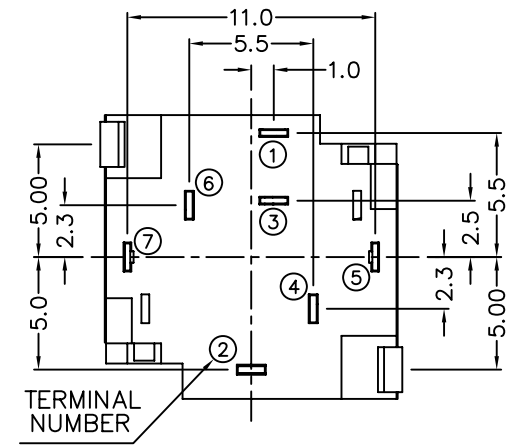
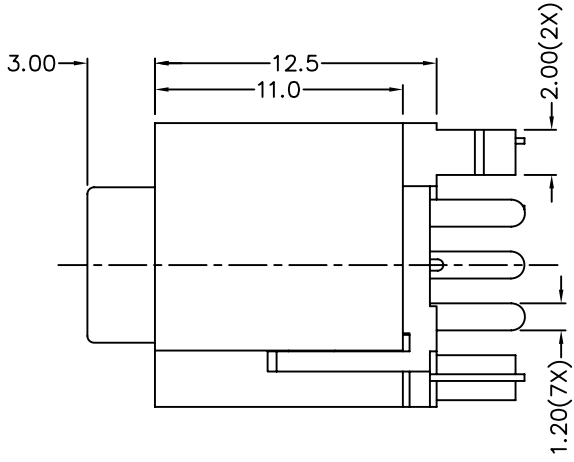
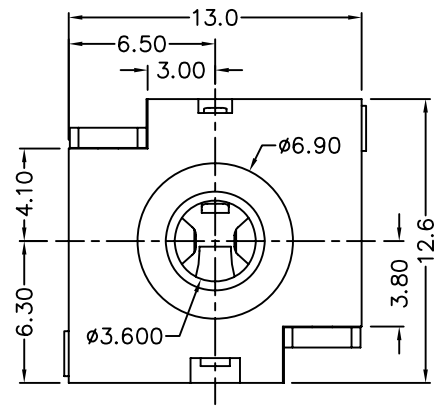


▲				
▲				
▲				
▲				
ZONE	REV	DESCRIPTION	DATE	APPD.

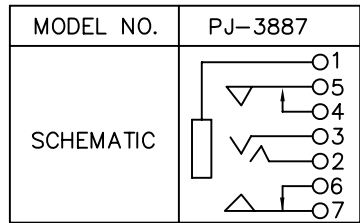
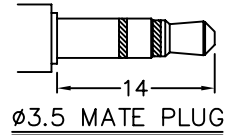
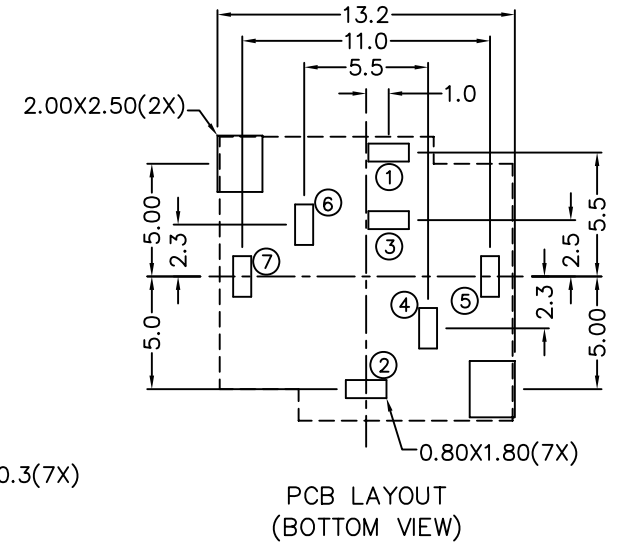
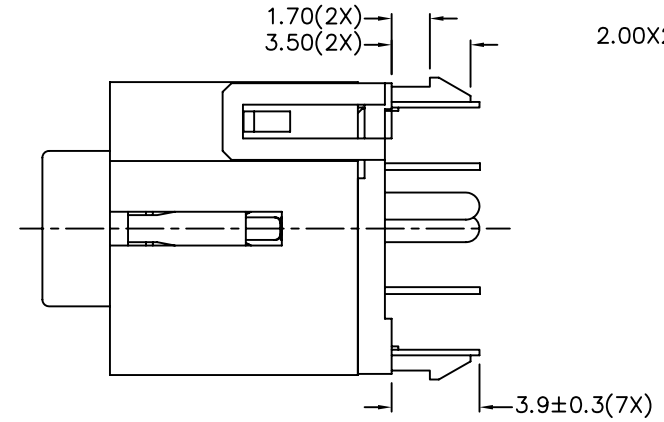
發行
2009.10.07
達立

RoHS
Compatible



* MATERIAL

- TERMINAL 1 : COPPER ALLOY
- TERMINAL 2 : COPPER ALLOY
- TERMINAL 3 : COPPER ALLOY
- TERMINAL 4 : BRASS
- TERMINAL 5 : COPPER ALLOY
- TERMINAL 6 : BRASS
- TERMINAL 7 : COPPER ALLOY
- HOUSING : PBT
- COVER : PBT
- INSULATOR : PA66



達立科技股份有限公司
Dawning Precision Co., Ltd.
TEL: 886-2-82271388 FAX: 886-2-82272198

DESIGN	Will	SCALE		
DRAWING	Will	UNIT	mm	
CHECK	Will	SIZE	A4: 210*297	
APPROVAL	Eric	VERSION	01	

TOLERANCE UNLESS OTHERWISE STATED(mm)	PART NAME	PHONE JACK
less than 10 ±0.2	PART NO	PJ-388 SERIES
10~30 ±0.3	DRAWING NO	
30~100 ±0.5	DATE	2009/10/07
ANGIE ±2°		