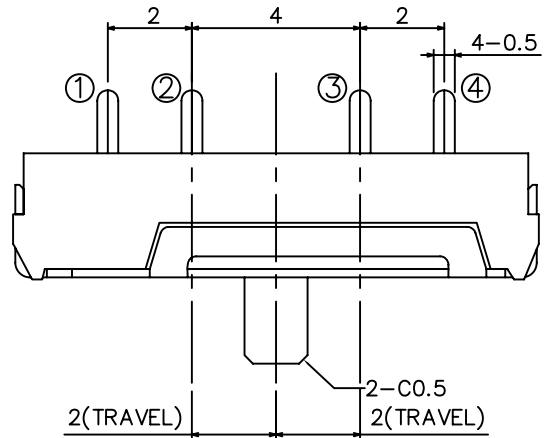
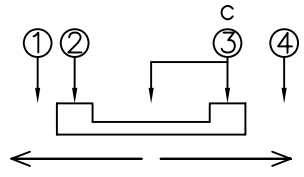


**RoHS**  
**Compatible**

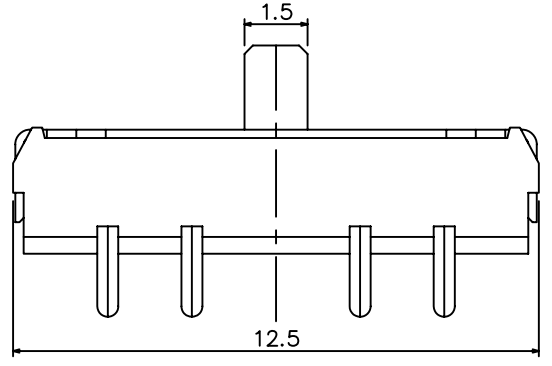
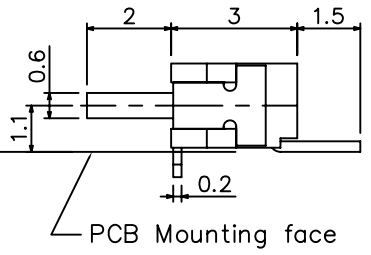
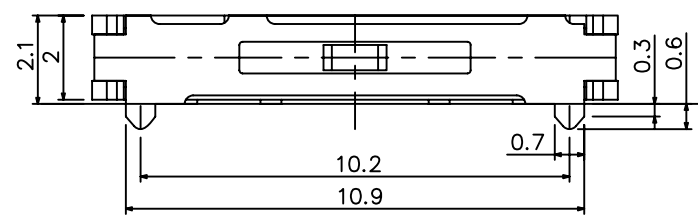
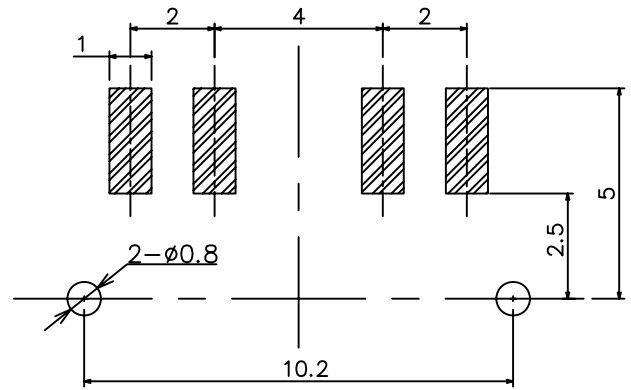
△				
△				
△				
△				
ZONE	REV	DESCRIPTION	DATE	APPD.



Circuit Diagram



P.C.B Mounting pattern Dimension



Specifications

1. Rating : DC 4V, 0.3A
2. Contact resistance : 70mΩ
3. Insulation resistance : 100MΩ
4. Withstanding voltage : 500 VAC 1minute
5. Operating face : refer to the dimensions
6. Operating life : 10,000 cycles
7. Operating temperature range : -10°C to +60°C
8. Storage temperature range : -25°C to +70°C
9. Operating force : 200±100gf

**達立科技股份有限公司**  
**Dawning Precision Co., Ltd.**  
TEL: 886-2-82271388 FAX: 886-2-82272198

DESIGN	Will	SCALE		
DRAWING	Will	UNIT	mm	
CHECK	Will	SIZE	A4: 210*297	
APPROVAL	Eric	VERSION	01	

TOLERANCE UNLESS OTHERWISE STATED(mm)	PART NAME	SLIDE SWITCH
less than 10 — ±0.2	PART NO	SS-C70R-2-S009
10~30 — ±0.3	DRAWING NO	
30~100 — ±0.5	DATE	2008/12/08
ANGIE — ±2°		