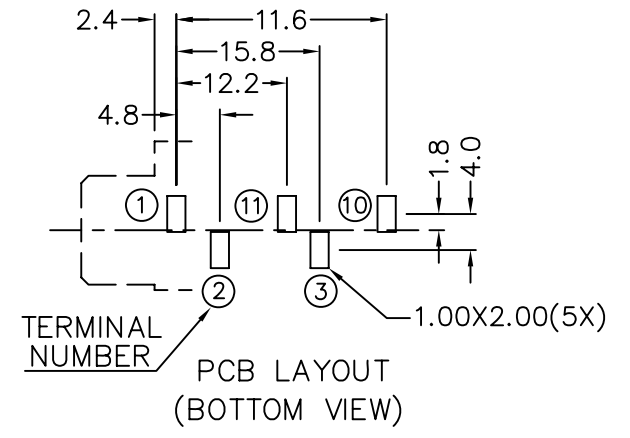
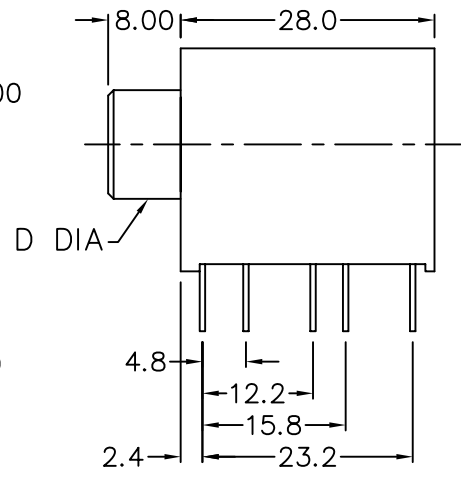
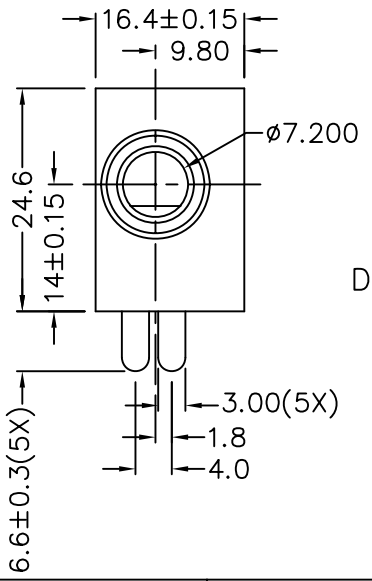
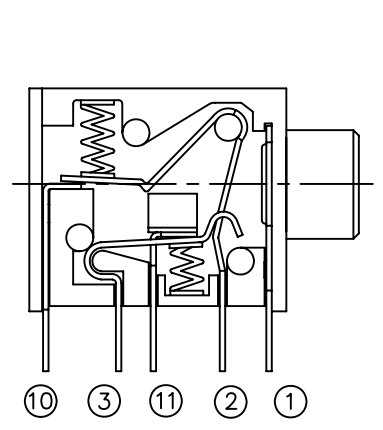
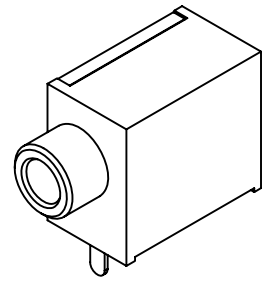


RoHS
Compatible

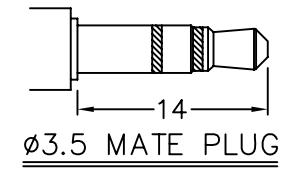
△				
△				
△				
△				
ZONE	REV	DESCRIPTION	DATE	APPD.

* MATERIAL

- TERMINAL 1 : BRASS
- TERMINAL 2 : BRASS
- TERMINAL 3 : BRASS
- TERMINAL 10 : BRASS
- TERMINAL 11 : BRASS
- BUSHING : BRASS
- SPRING : STAINLESS STEEL
- HOUSING : PBT
- COVER : PBT



THREADED	M6X0.5	MODEL NO.	PJ-3555N	PJ-3554AN	PJ-3554BN	PJ-3553N	PJ-3553AN
FLASHED	ø6.0	MODEL NO.	PJ-3555F	PJ-3554AF	PJ-3554BF	PJ-3553F	PJ-3553AF
D DIA		SCHEMATIC					



達立科技股份有限公司
Dawning Precision Co., Ltd.
TEL: 886-2-82271388 FAX: 886-2-82272198

DESIGN	Will	SCALE		
DRAWING	Will	UNIT	mm	
CHECK	Will	SIZE	A4: 210*297	
APPROVAL	Eric	VERSION	01	

TOLERANCE UNLESS OTHERWISE STATED(mm)	PART NAME	PHONE JACK
less than 10 — ±0.2	PART NO	PJ-355 SERIES
10~30 — ±0.3	DRAWING NO	
30~100 — ±0.5	DATE	2009/11/24
ANGIE — ±2°		