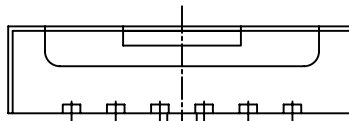
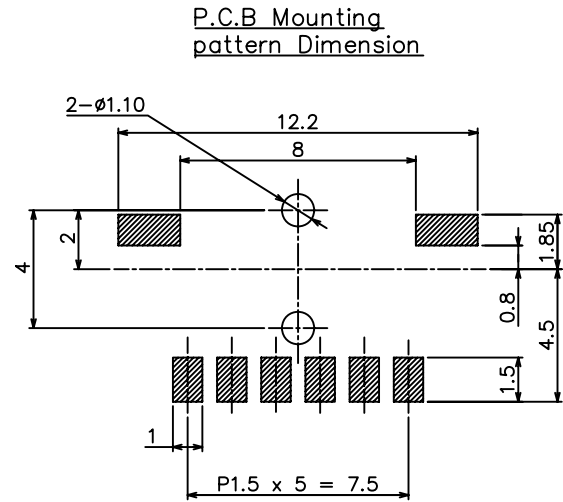
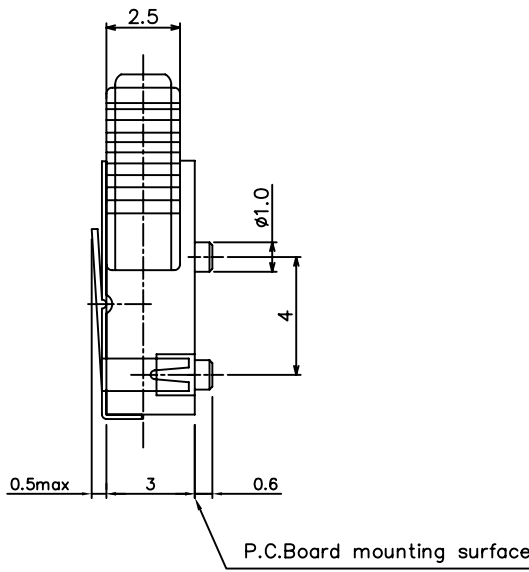
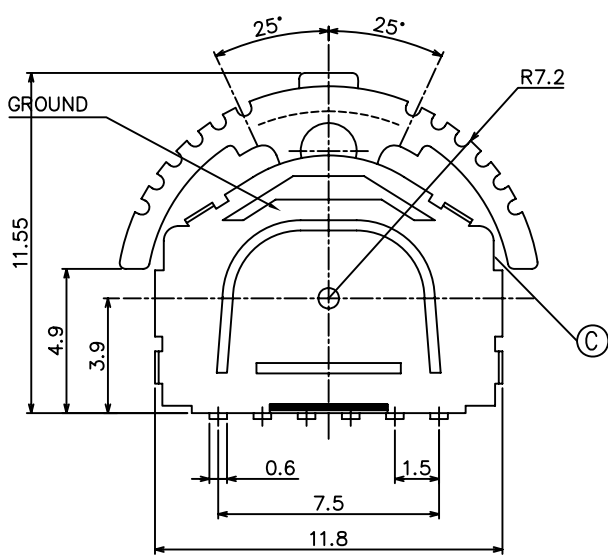
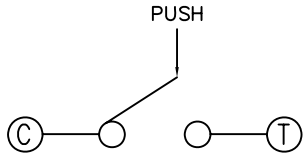


RoHS
Compatible

△				
△				
△				
△				
ZONE	REV	DESCRIPTION	DATE	APPD.



Circuit Diagram



Code Table

Angle	25°	0°	25°
Terminal	(21.5°)(11°)	(11°)(21.5°)	
①	ON		
②	ON		
③			ON
④			ON
ⓐ	ON	ON	ON

Code Table (ON)

CCW ← → CW

Specification

- Rating : 10mA 5V DC
- Operating force :
70±50gf (lever portion)
200±100gf (push portion)
- Operating life : 100,000 cycles

達立科技股份有限公司
Dawning Precision Co., Ltd.
TEL: 886-2-82271388 FAX: 886-2-82272198

DESIGN	Will	SCALE	
DRAWING	Will	UNIT	mm
CHECK	Will	SIZE	A4: 210*297
APPROVAL	Eric	VERSION	01

TOLERANCE UNLESS OTHERWISE STATED(mm)
less than 10 — ±0.2
10~30 — ±0.3
30~100 — ±0.5
ANGIE — ±2°

PART NAME	PUSH & LEVER SWITCH
PART NO	K01-S033
DRAWING NO	
DATE	2010/02/02