

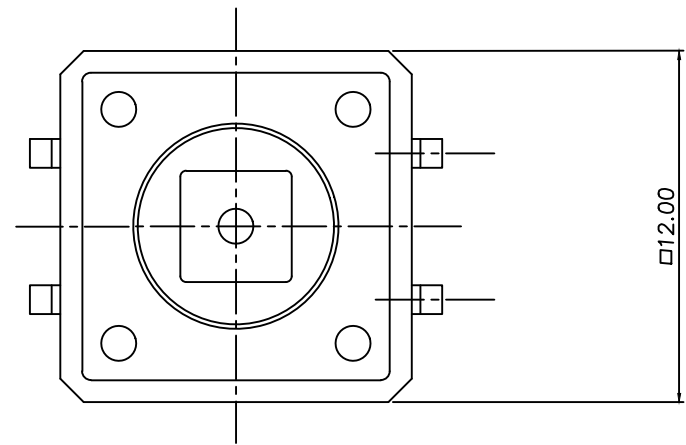
△				
△				
△				
△				
ZONE	REV	DESCRIPTION	DATE	APPD.

*Order Information:
TS-A03 T-x-S001

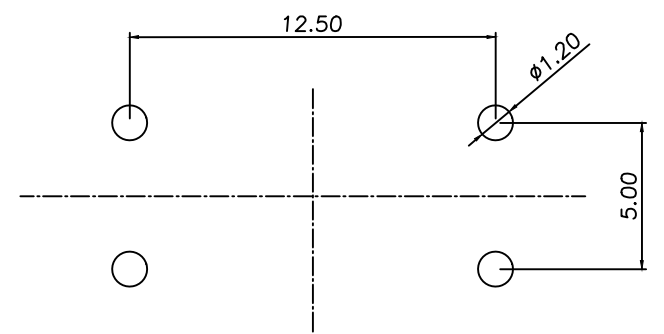
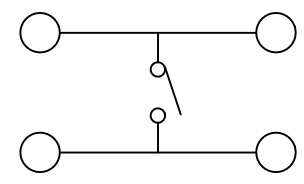
發行
2014.10.03
達立

RoHS
Compatible

Force
Height
P.C.B Mounting
pattern Dimension



Circuit diagram

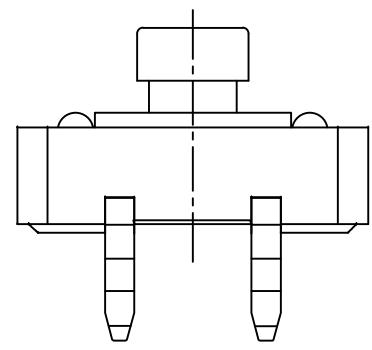
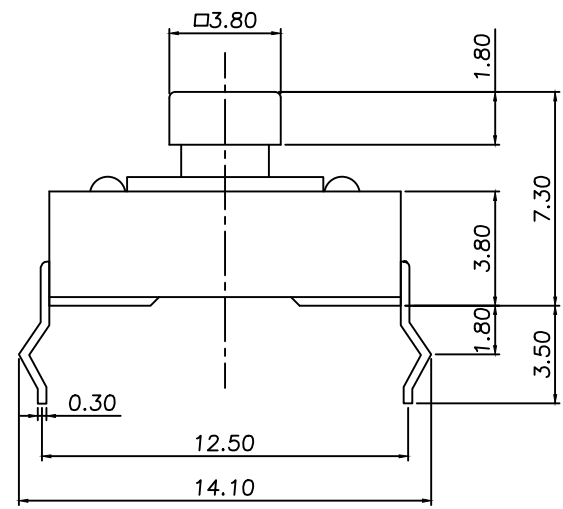


Specifications

1. Rating : DC 12V 50mA
2. Contact resistance : 100mΩ Max.
3. Insulation Resistance : 100MΩ Min.
4. Travel : 0.30±0.10mm
5. Operating force :

	Operating force
TS-A03T-2	160±30 gf
TS-A03T-3	250±50 gf

6. Operating life : Phosphor Bronze 100,000



5	Stem	PolyAmide	1	(Black)
4	Cover	Steel	1	
3	Contact	Copper alloy	1	Ag Clad
2	Terminal	Brass	4	
1	Case	PolyAmide	1	(Black)
No.	Part Name	Material	Q'ty	Finishing

達立科技股份有限公司
Dawning Precision Co., Ltd.
TEL: 886-2-82271388 FAX: 886-2-82272198

DESIGN	Ross	SCALE		
DRAWING	Ross	UNIT	mm	
CHECK	Elsa	SIZE	A4: 210*297	
APPROVAL	Eric	VERSION	01	

TOLERANCE UNLESS OTHERWISE STATED(mm)	PART NAME	TACT SWITCH
less than 10 — ±0.2	PART NO	TS-A03T-x-S001
10~30 — ±0.3	DRAWING NO	
30~100 — ±0.5	DATE	2014/10/03
ANGIE — ±2°		