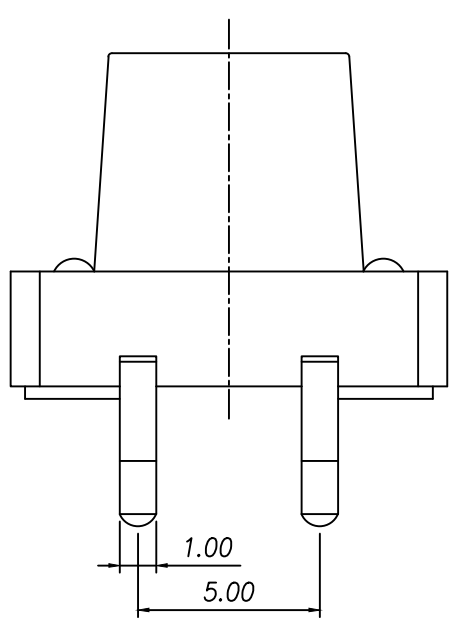
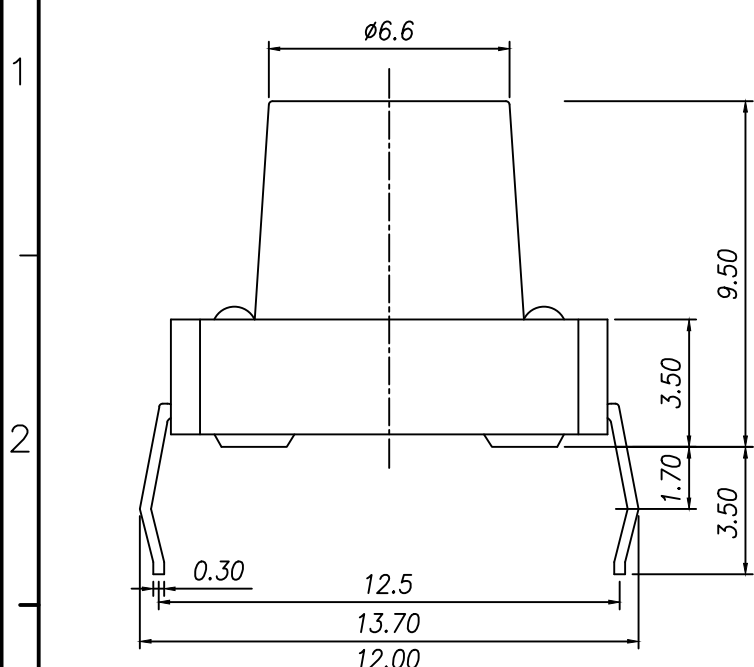


▲				
▲				
▲				
▲				
ZONE	REV	DESCRIPTION	DATE	APPD.

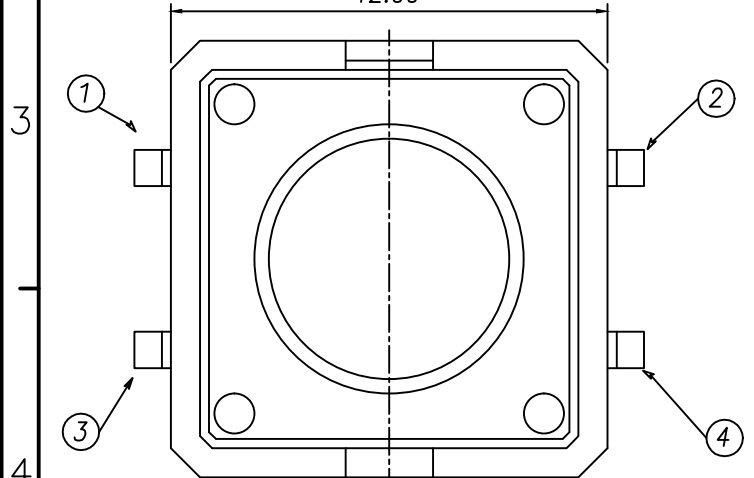
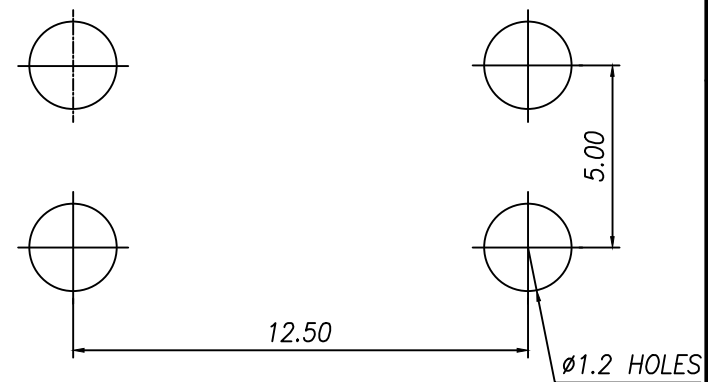
Order information :  
 TS-A03F-3-S001  
 Force  
 Model type  
 Tact Switch

發行  
 2014.08.12  
 達立

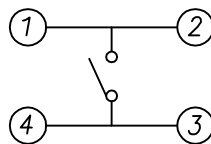
**RoHS**  
**Compatible**



P.C.B Mounting  
 pattern Dimensio



Circuit Diagram



Specification

1. Rating : DC 12V 50mA Max.
2. Travel : 0.3 ± 0.1mm
3. Operating life : 10,000 cycles Min.
4. Operating force: 250 ± 50gf

5	Cover	Brass	1	Sn plated
4	Contact	Phosphor Bronze	1	Ag plated
3	Stem	PolyAmide	1	Black
2	Terminal	Brass	4	Ag plated
1	Case	PolyAmide	1	Black
NO	Part Name	Material	Q"ty	Finishing

**達立科技股份有限公司**  
**Dawning Precision Co.,Ltd.**  
 TEL: 886-2-82271388 FAX: 886-2-82272198

DESIGN	ROSS	SCALE		
DRAWING	ROSS	UNIT	mm	
CHECK	ELSA	SIZE	A4: 210*297	
APPROVAL	Eric	VERSION	01	

TOLERANCE UNLESS OTHERWISE STATED(mm)	
less than 10	±0.3
10~30	±0.4
30~100	±0.5
ANGLE	±2'

PART NAME	TACT SWITCH
PART NO	TS-A03-3-S001
DRAWING NO	
DATE	2014/08/07