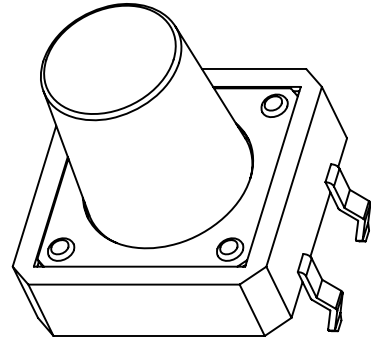
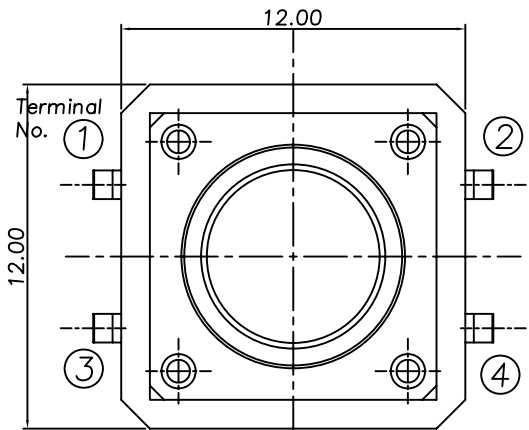
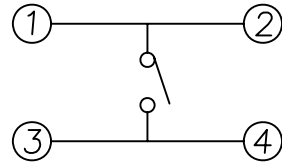


RoHS
Compatible

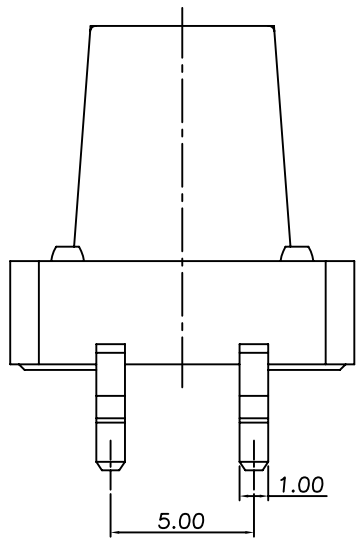
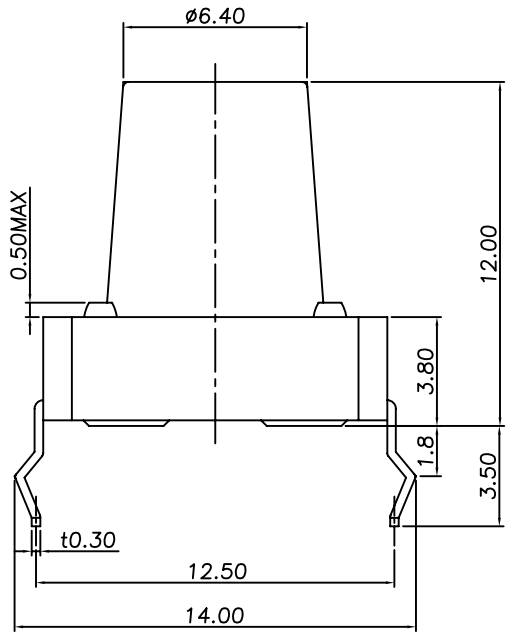
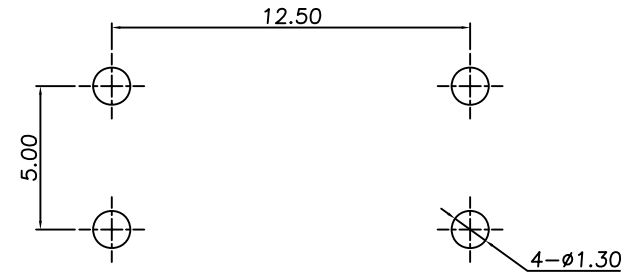
△				
△				
△				
△				
ZONE	REV	DESCRIPTION	DATE	APPD.



Circuit diagram



P.C.B Mounting pattern Dimension



Order Information:

TS-A03D- Force

Specifications

- Rating : DC 12V 50mA
- Contact resistance : 100mΩ Max.
- Travel : 0.30±0.15mm

Model#	Operating force	Life Cycles
TS-A03D-1	130±50gf	100,000 Cycles
TS-A03D-2	160±50gf	100,000 Cycles
TS-A03D-3	250±50gf	100,000 Cycles

達立科技股份有限公司
Dawning Precision Co., Ltd.
TEL: 886-2-82271388 FAX: 886-2-82272198

DESIGN	Will	SCALE		
DRAWING	Will	UNIT	mm	
CHECK	Will	SIZE	A4: 210*297	
APPROVAL	Eric	VERSION	01	

TOLERANCE UNLESS OTHERWISE STATED(mm)	PART NAME	TACT SWITCH
less than 10 — ±0.2	PART NO	TS-A03D series
10~30 — ±0.3	DRAWING NO	
30~100 — ±0.5	DATE	2009/11/10
ANGIE — ±2°		