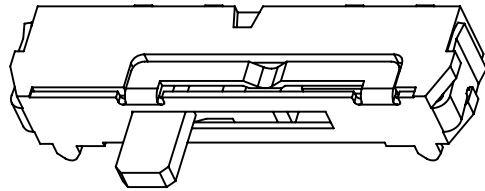


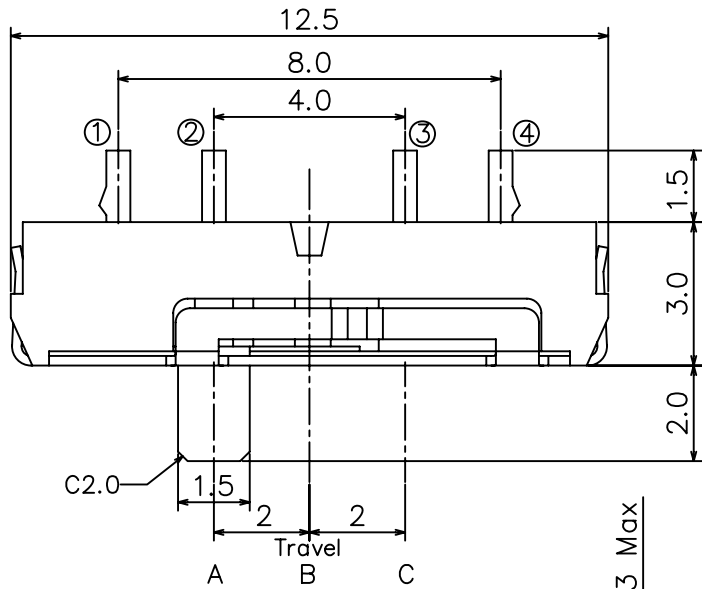
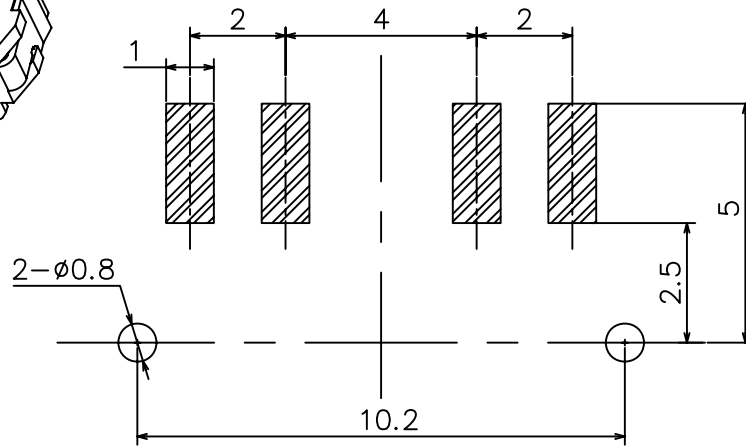
RoHS
Compatible

△				
△				
△				
△				
ZONE	REV	DESCRIPTION	DATE	APPD.

發行
2010.04.02
達立

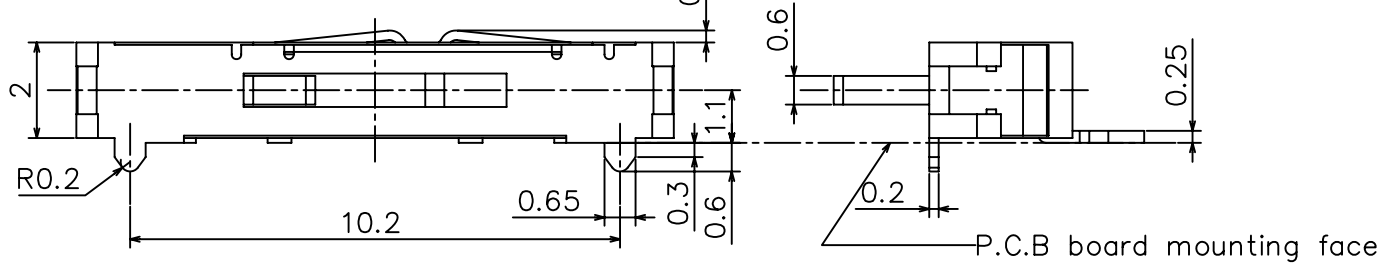


P.C.B Mounting
pattern Dimension

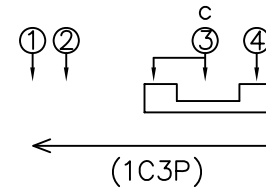


Specifications

1. Rating : DC 4V, 0.3A
2. Contact resistance : 70mΩ Max.
3. Insulation resistance : DC500V-100MΩ Min.
4. Withstanding voltage : AC500V-1 Minute
5. Operating force :
 A→B←C 175±100gf
 A←B→C 250±100gf
6. Operating life : 10,000 cycles
7. Timing : Non-Short
8. Travel : 2.0±0.3mm



Circuit Diagram



達立科技股份有限公司

Dawning Precision Co., Ltd.

TEL: 886-2-82271388 FAX: 886-2-82272198

DESIGN	Will	SCALE		
DRAWING	Will	UNIT	mm	
CHECK	Will	SIZE	A4: 210*297	
APPROVAL	Eric	VERSION	01	

TOLERANCE UNLESS OTHERWISE STATED(mm)
less than 10 ±0.2
10~30 ±0.3
30~100 ±0.5
ANGIE ±2°

PART NAME	SLIDE SWITCH
PART NO	SS-C70-S016
DRAWING NO	
DATE	2008/02/16