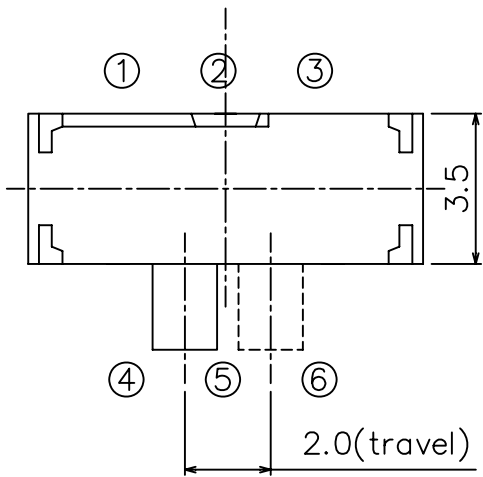


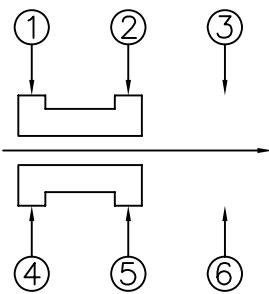
RoHS
Compatible

▲				
▲				
▲				
▲				
ZONE	REV	DESCRIPTION	DATE	APPD.

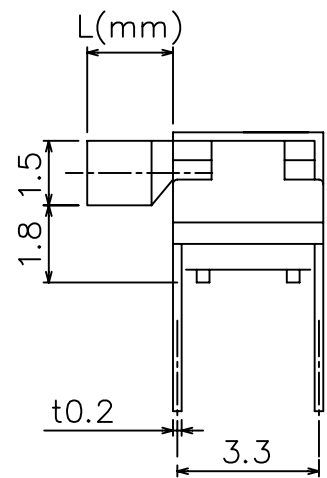
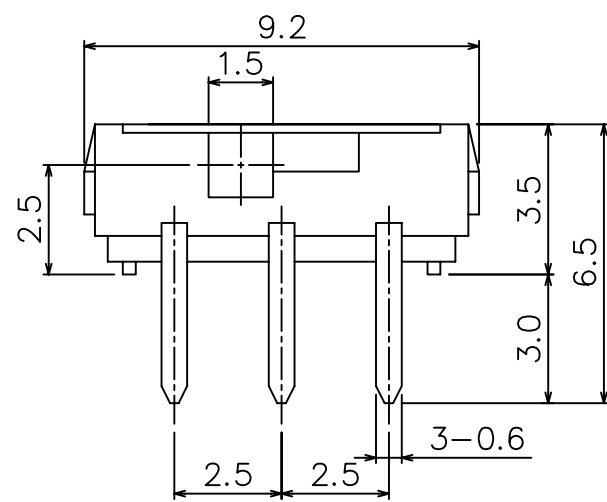
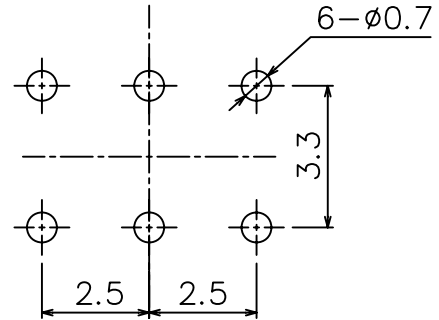


Model#	L(mm)
D45	2.0
D45A	4.0

Circuit Diagram



P.C.B Mounting pattern Dimension



Specifications

1. Rating : DC 6V, 0.3A
2. Circuit : 2C-2P
3. Timing : non-shorting
4. Travel : 2.0±0.1mm
5. Operating force : 200±100gf
6. Contact resistance : 70mΩ Max.
7. Operating life : 10,000 cycles

達立科技股份有限公司
Dawning Precision Co., Ltd.
TEL: 886-2-82271388 FAX: 886-2-82272198

DESIGN	Will	SCALE		
DRAWING	Will	UNIT	mm	
CHECK	Will	SIZE	A4: 210*297	
APPROVAL	Eric	VERSION	01	

TOLERANCE UNLESS OTHERWISE STATED(mm)
less than 10 — ±0.2
10~30 — ±0.3
30~100 — ±0.5
ANGIE — ±2°

PART NAME	SLIDE SWITCH
PART NO	SS-D45
DRAWING NO	
DATE	2010/01/27