

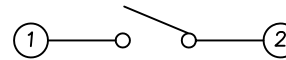
▲				
▲				
▲				
▲				
ZONE	REV	DESCRIPTION	DATE	APPD.

ORDER INFORMATION:
TS-A07GS-x-S085
Force

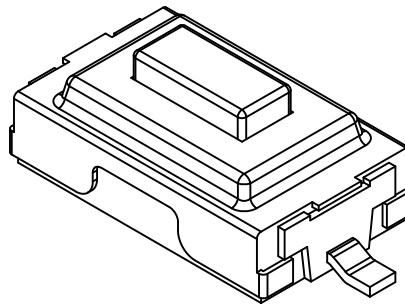
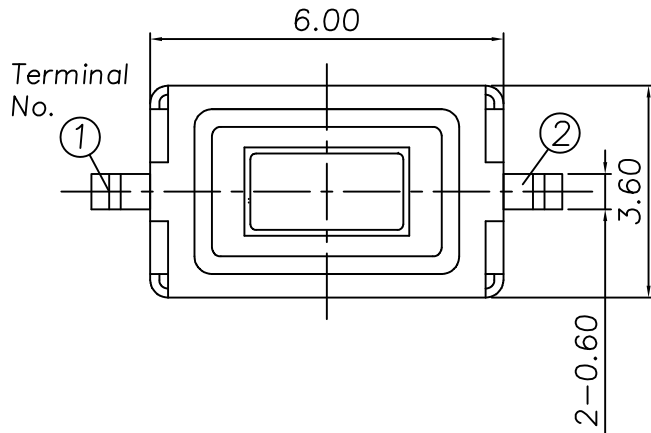
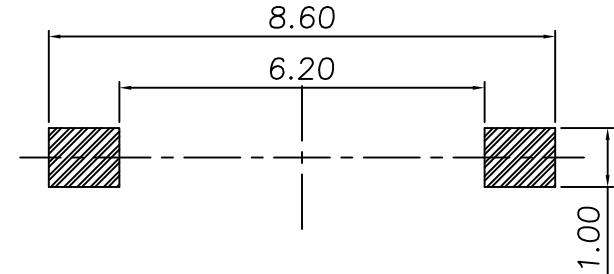
發行
2014.02.20
達立

RoHS
Compatible

CIRCUIT DIAGRAM



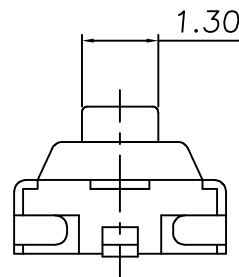
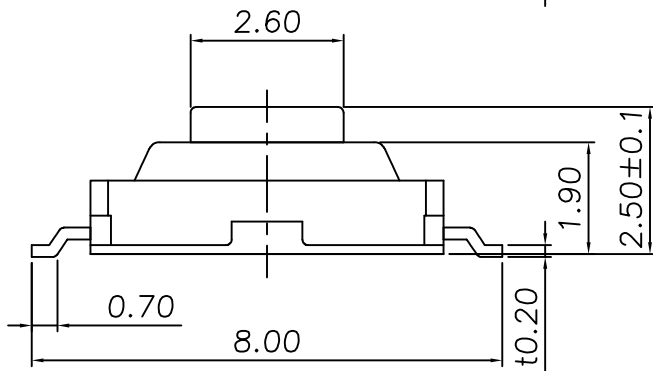
P.C.B MOUNTING
PATTERN DIMENSION



SPECIFICATIONS

- Rating : DC 12V 50mA
- Contact resistance : 100mΩ Max.
- Insulation resistance : 100MΩ Min.
- Travel : 0.25±0.1mm
- Operation life : 30,000 cycles Min.

Model	Operating Force
TS-A07GS-2	160±50gf
TS-A07GS-3	250±50gf



No.	Part Name	Material	Q'ty	Remark
6	Dust Cover	PI Film	1	—
5	Terminal	Brass	2	Ag Plated
4	Base	LCP	1	Black
3	Contact	Stainless	2	Ag plating
2	Knob	LCP	1	White
1	Cover	Stainless Steel	1	—

達立科技股份有限公司

Dawning Precision Co., Ltd.

TEL: 886-2-82271388 FAX: 886-2-82272198

DESIGN	Frank	SCALE		
DRAWING	Frank	UNIT	mm	
CHECK	Frank	SIZE	A4: 210*297	
APPROVAL	Eric	VERSION	01	

TOLERANCE UNLESS OTHERWISE STATED(mm)	PART NAME	TACT SWITCH
less than 10 — ±0.3	PART NO	TS-A07GS-x-S085 series
10~30 — ±0.4	DRAWING NO	
30~100 — ±0.5	DATE	2014/02/19
ANGIE — ±2'		