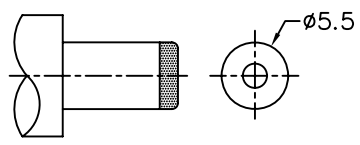
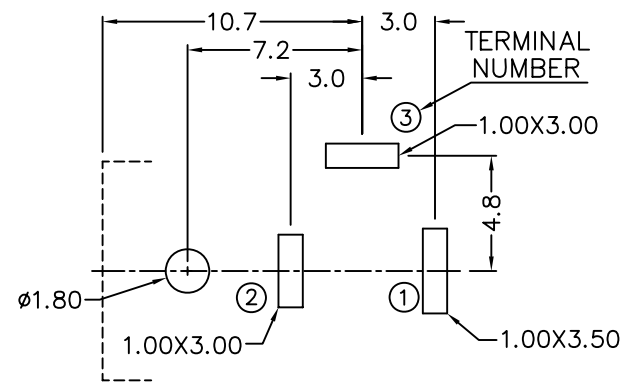
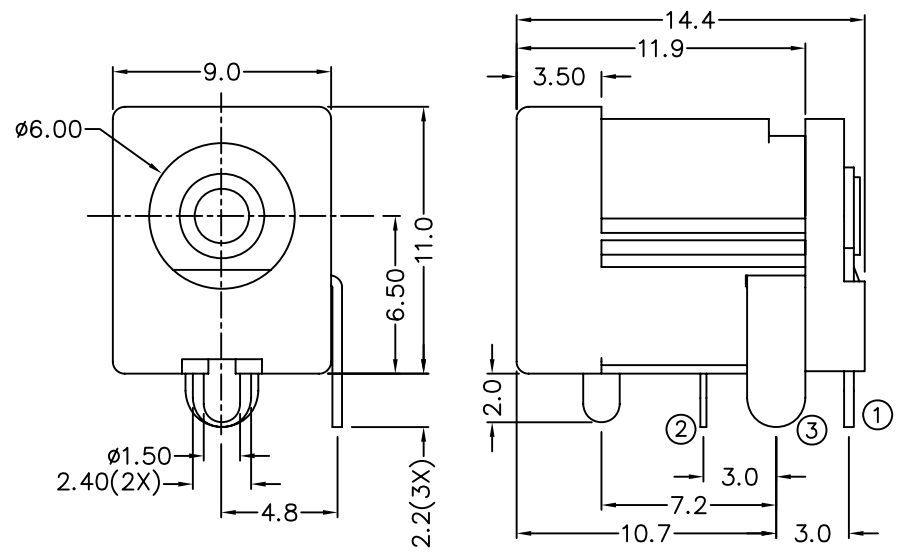


RoHS
Compatible

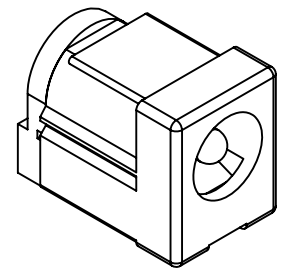
△				
△				
△				
△				
ZONE	REV	DESCRIPTION	DATE	APPD.



DC MATE PLUG

MODEL NO.	DC-047
SCHEMATIC	
CENTER PIN	ø1.65mm
	ø2mm
	ø2.35mm
	ø2.5mm

* MATERIAL
 CENTRE PIN : COPPER
 TERMINAL 1 : BRASS
 TERMINAL 2 : COPPER ALLOY
 TERMINAL 3 : BRASS
 HOUSING : PBT
 COVER : PBT



達立科技股份有限公司
Dawning Precision Co., Ltd.
 TEL: 886-2-82271388 FAX: 886-2-82272198

DESIGN	Will	SCALE		
DRAWING	Will	UNIT	mm	
CHECK	Will	SIZE	A4: 210*297	
APPROVAL	Eric	VERSION	01	

TOLERANCE UNLESS OTHERWISE STATED(mm) less than 10 — ±0.2 10~30 — ±0.3 30~100 — ±0.5 ANGLE — ±2'	PART NAME	DC POWER SOCKET
	PART NO	DC-047
	DRAWING NO	
	DATE	2009/06/09