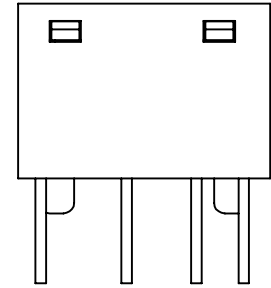
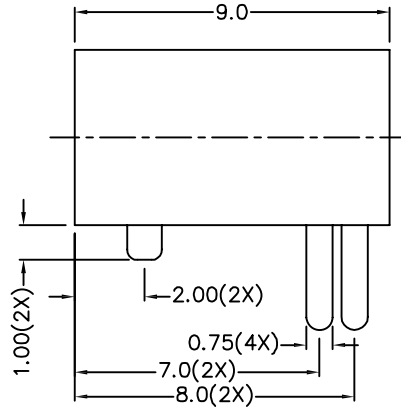
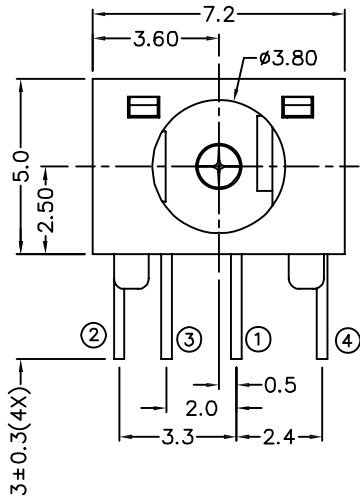
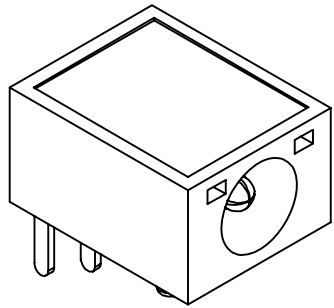


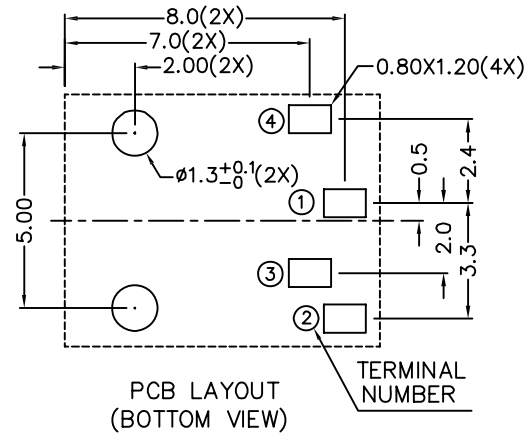
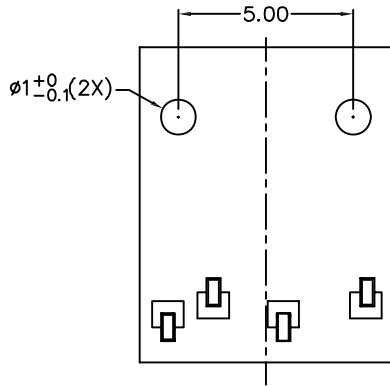
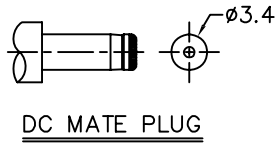
RoHS
Compatible

▲				
▲				
▲				
▲				
ZONE	REV	DESCRIPTION	DATE	APPD.



*** MATERIAL**

- TERMINAL 1 : BRASS
- TERMINAL 2 : COPPER ALLOY
- TERMINAL 3 : BRASS
- TERMINAL 4 : COPPER ALLOY
- HOUSING : PA66
- COVER : PA66
- INSULATOR : PA66



MODEL NO.	DC-052
SCHEMATIC	
CENTER PIN	∅1mm
	∅1.3mm

達立科技股份有限公司
Dawning Precision Co., Ltd.
TEL: 886-2-82271388 FAX: 886-2-82272198

DESIGN	Will	SCALE	
DRAWING	Will	UNIT	mm
CHECK	Will	SIZE	A4: 210*297
APPROVAL	Eric	VERSION	01

TOLERANCE UNLESS OTHERWISE STATED(mm)	
less than 10	±0.2
10~30	±0.3
30~100	±0.5
ANGIE	±2°

PART NAME	DC POWER SOCKET
PART NO	DC-052
DRAWING NO	
DATE	2009/06/09