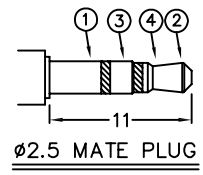
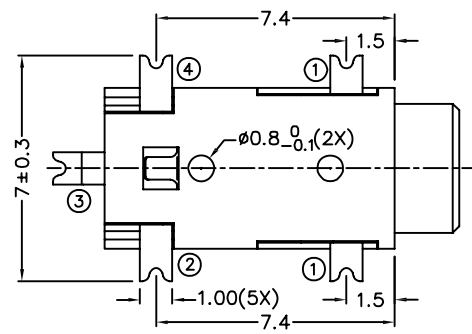
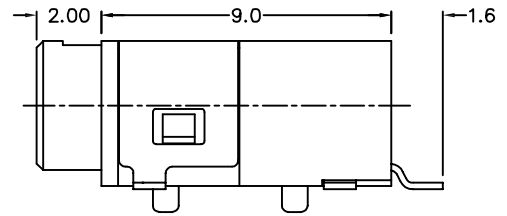
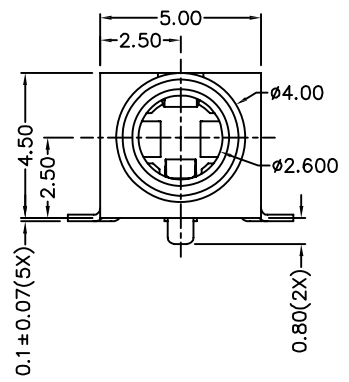
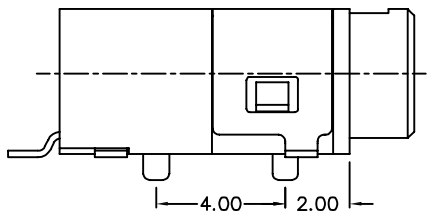
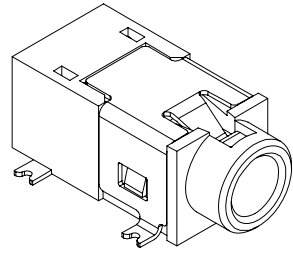


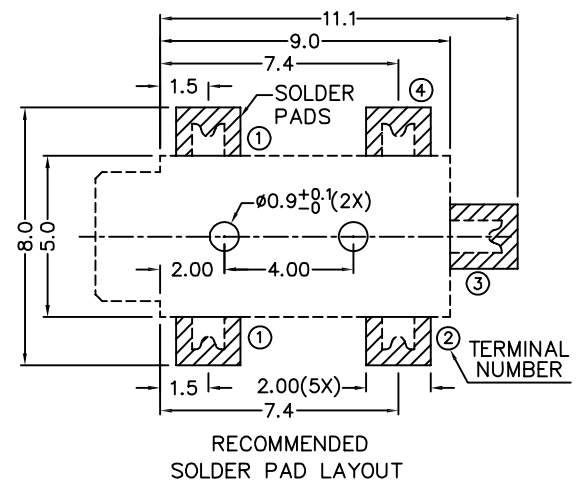
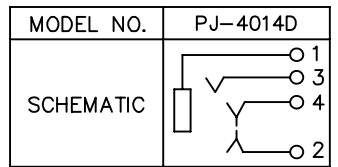
RoHS
Compatible

| | | | | |
|------|-----|-------------|------|-------|
| ▲ | | | | |
| ▲ | | | | |
| ▲ | | | | |
| ▲ | | | | |
| ZONE | REV | DESCRIPTION | DATE | APPD. |



*** MATERIAL**

- TERMINAL 1 : COPPER ALLOY
- TERMINAL 2 : COPPER ALLOY
- TERMINAL 3 : COPPER ALLOY
- TERMINAL 4 : COPPER ALLOY
- HOUSING : PA6T



達立科技股份有限公司
Dawning Precision Co., Ltd.
TEL: 886-2-82271388 FAX: 886-2-82272198

| | | | | |
|----------|------|---------|-------------|--|
| DESIGN | Will | SCALE | | |
| DRAWING | Will | UNIT | mm | |
| CHECK | Will | SIZE | A4: 210*297 | |
| APPROVAL | Eric | VERSION | 01 | |

| | | |
|---------------------------------------|------------|----------------|
| TOLERANCE UNLESS OTHERWISE STATED(mm) | PART NAME | PHONE JACK |
| less than 10 — ±0.2 | PART NO | PJ-401D SERIES |
| 10~30 — ±0.3 | DRAWING NO | |
| 30~100 — ±0.5 | DATE | 2009/12/01 |
| ANGIE — ±2° | | |