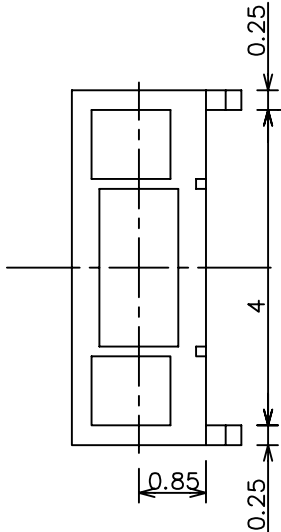
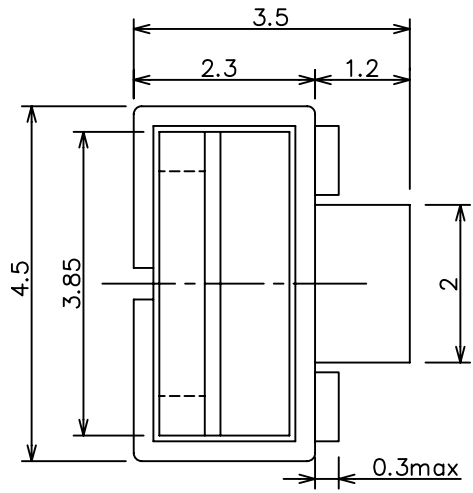
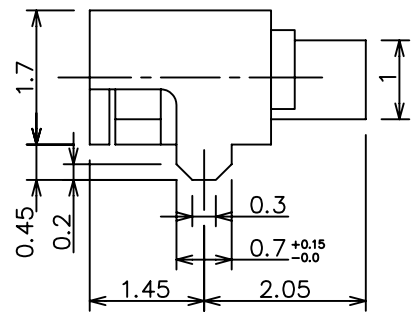
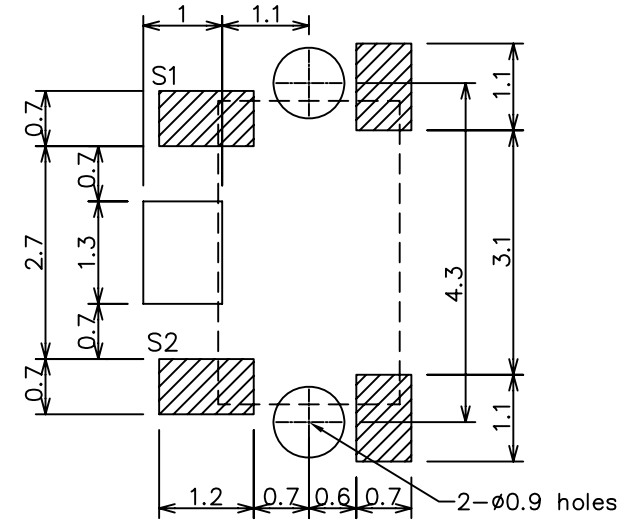


RoHS
Compatible

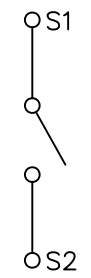
▲				
▲				
▲				
▲				
ZONE	REV	DESCRIPTION	DATE	APPD.



P.C.B Mounting pattern Dimension



Circuit Diagram



Specifications

1. Rating : DC12V , 20mA max.
2. Circuit : 1C-1P
3. Travel : 0.2±0.1mm
4. Contact resistance : 100mΩ max.
5. Operating force : 160±50gf
6. Operating life : 100,000 cycles min.

達立科技股份有限公司
Dawning Precision Co., Ltd.
TEL: 886-2-82271388 FAX: 886-2-82272198

DESIGN	Will	SCALE		
DRAWING	Will	UNIT	mm	
CHECK	Will	SIZE	A4: 210*297	
APPROVAL	Eric	VERSION	01	

TOLERANCE UNLESS OTHERWISE STATED(mm)	PART NAME	TACT SWITCH
less than 10 — ±0.2	PART NO	TSS10-NT2-160-T30
10~30 — ±0.3	DRAWING NO	
30~100 — ±0.5	DATE	2009/10/05
ANGIE — ±2°		