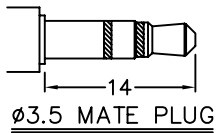
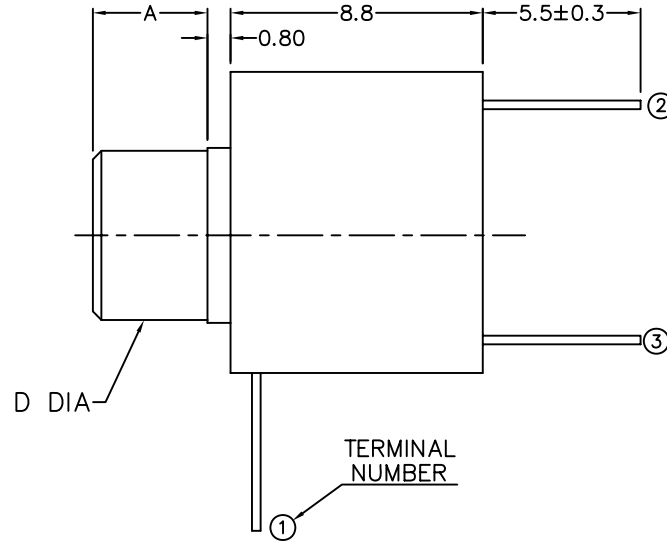
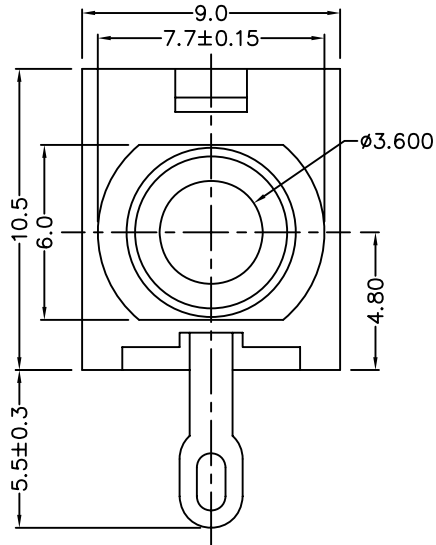


RoHS
Compatible

▲				
▲				
▲				
▲				
ZONE	REV	DESCRIPTION	DATE	APPD.



MODEL NO.	PJ-35SN	PJ-35SF	PJ-35SN2	PJ-35SF2
D DIA	THREADED M6X0.5	FLASHED ø6.0	THREADED M6X0.5	FLASHED ø6.0
A	4.0mm	4.0mm	3.5mm	3.5mm
SCHEMATIC				

*** MATERIAL**

- TERMINAL 1 : BRASS
- TERMINAL 2 : COPPER ALLOY
- TERMINAL 3 : BRASS
- BUSHING : BRASS
- HOUSING : PBT

達立科技股份有限公司

Dawning Precision Co., Ltd.

TEL: 886-2-82271388 FAX: 886-2-82272198

DESIGN	Will	SCALE		
DRAWING	Will	UNIT	mm	
CHECK	Will	SIZE	A4: 210*297	
APPROVAL	Eric	VERSION	01	

TOLERANCE UNLESS OTHERWISE STATED(mm)
less than 10 — ±0.2
10~30 — ±0.3
30~100 — ±0.5
ANGIE — ±2°

PART NAME	PHONE JACK
PART NO	PJ-35S SERIES
DRAWING NO	
DATE	2009/12/01

www.dawning2.com.tw