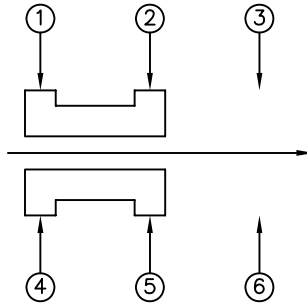


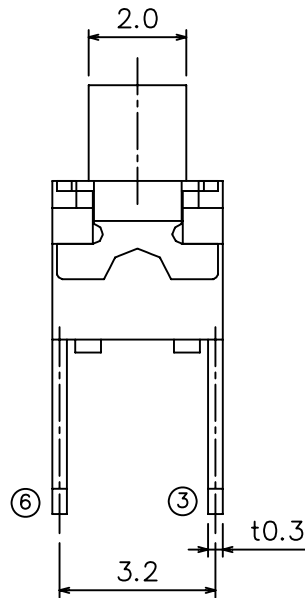
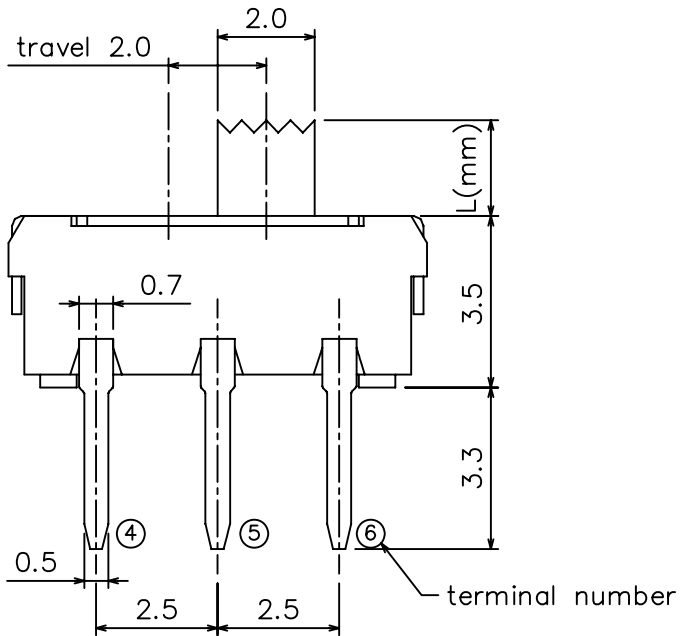
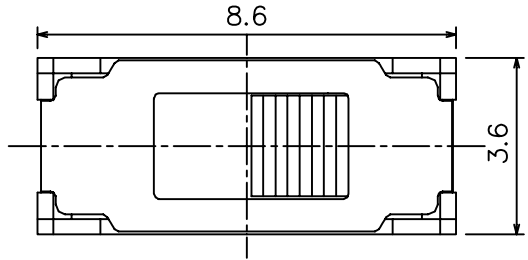
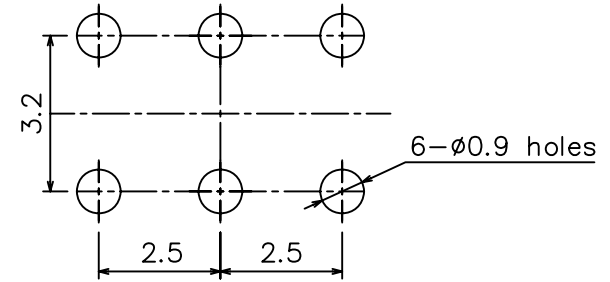
RoHS
Compatible

△				
△				
△				
△				
ZONE	REV	DESCRIPTION	DATE	APPD.

Circuit Diagram



P.C.B Mounting pattern Dimension



Model#	L(mm)
SS-B50	2.0
SS-B50A	3.0
SS-B50B	4.4

Specifications

- Rating : DC 6V, 0.3A
- Circuit : 1C-2P
- Timing : non shorting
- Travel : 2.0±0.1mm
- Contact resistance : 70mΩ Max.
- Operating force : 200±100gf
- Operating life : 10,000 cycles

達立科技股份有限公司

Dawning Precision Co., Ltd.
TEL: 886-2-82271388 FAX: 886-2-82272198

DESIGN	Will	SCALE		
DRAWING	Will	UNIT	mm	
CHECK	Will	SIZE	A4: 210*297	
APPROVAL	Eric	VERSION	01	

TOLERANCE UNLESS OTHERWISE STATED(mm)
less than 10 — ±0.2
10~30 — ±0.3
30~100 — ±0.5
ANGLE — ±2°

PART NAME	SLIDE SWITCH
PART NO	SS-B50-S033
DRAWING NO	
DATE	2009/08/12