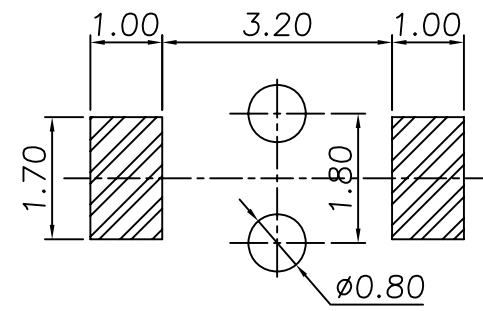


**RoHS**  
**Compatible**

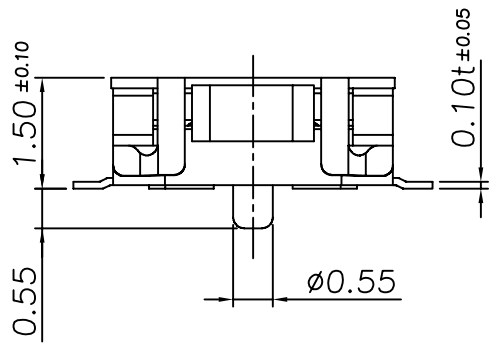
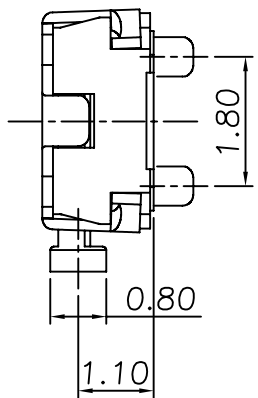
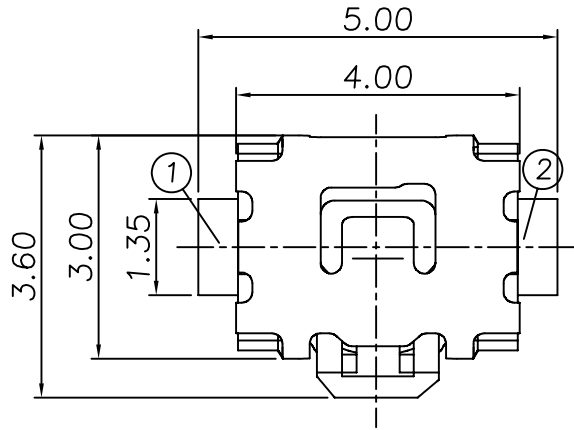
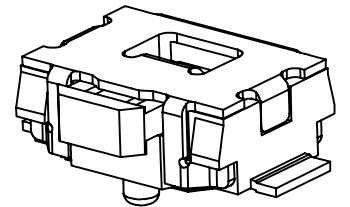
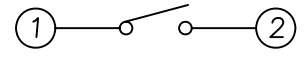
發行  
2012.10.11  
達立

△				
△				
△				
△				
ZONE	REV	DESCRIPTION	DATE	APPD.

P.C.B Mounting  
pattern Dimension



Circuit diagram



Specification

1. Rating : 50mA, DC12V Max.
2. Contact resistance : 100mΩ Max.
3. Travel : 0.2±0.1mm
4. Operating force : 220±50gf
5. Operating life : 50,000 cycles Min.

6	Dust Cover	PI Film	1	Yellow
5	Terminal	Phosphor Bronze	2	Ag Plated
4	Cover	SUS	1	Ag Plated
3	Contact	SUS	2	Ag Clad
2	Stem	PA	1	Black
1	Case	PA6T	1	Black
NO	Part Name	Material	Q'ty	Finishing

**達立科技股份有限公司**  
**Dawning Precision Co., Ltd.**  
TEL: 886-2-82271388 FAX: 886-2-82272198

DESIGN	Will	SCALE		
DRAWING	Will	UNIT	mm	
CHECK	Will	SIZE	A4: 210*297	
APPROVAL	Eric	VERSION	01	

TOLERANCE UNLESS OTHERWISE STATED(mm)	PART NAME	TACT SWITCH
less than 10 — ±0.2	PART NO	TS-A15E-220-S085
10~30 — ±0.3	DRAWING NO	
30~100 — ±0.4	DATE	2012/10/11
ANGIE — ±2°		