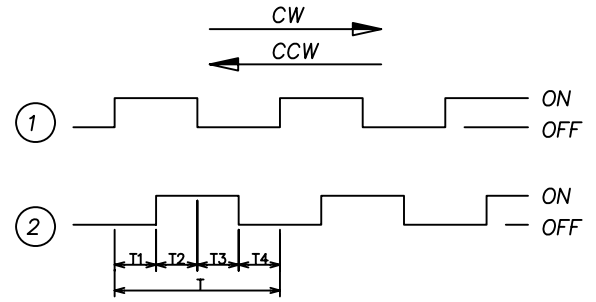
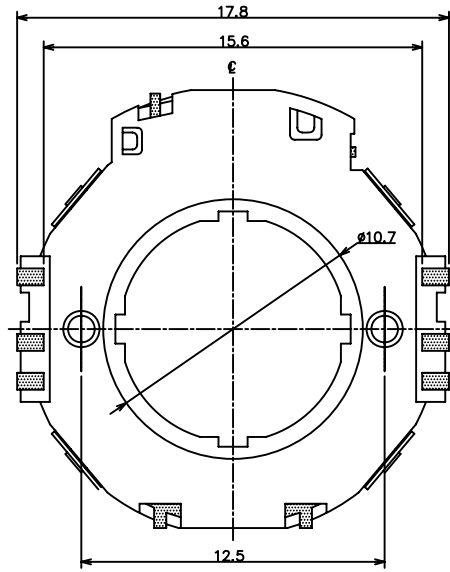
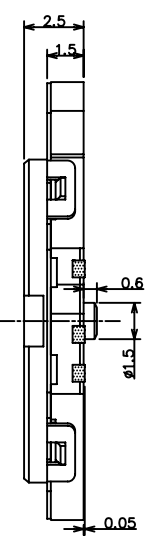
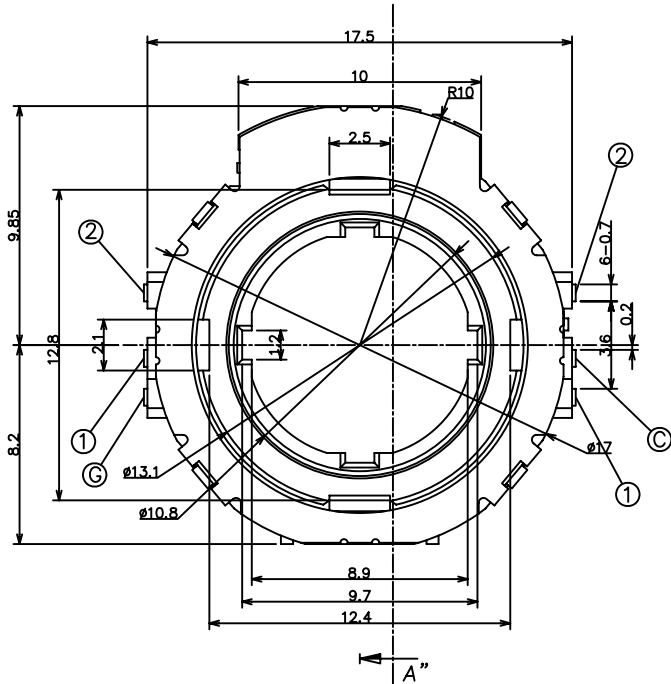


**RoHS**  
Compatible

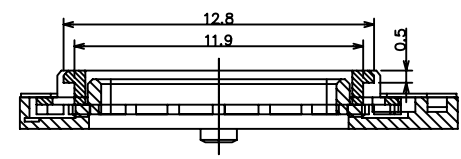
△				
△				
△				
△				
ZONE	REV	DESCRIPTION	DATE	APPD.



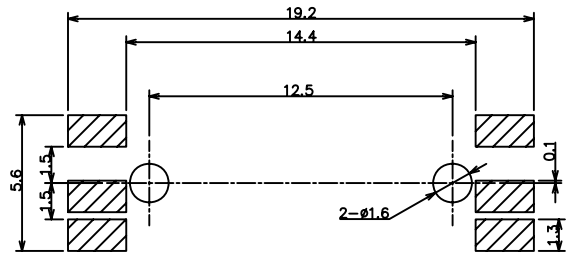
$T1, T3 : 1/4T \pm 1/8T$   
 $T2, T4 : \text{Phase difference shall not be reserved}$

C : CENTER  
G : GROUND

SECTION A - A"



SMD REFLOW PATTERN(±0.05)



NOTES

1. RATING : 1mA , 5V DC
2. NUMBER OF DETENT : 24
3. OUT PUT PURSES : 12
4. TORQUE : 2 ±1mNm
5. OPERATING LIFE : 10000 CYCLES

**達立科技股份有限公司**  
**Dawning Precision Co., Ltd.**  
TEL: 886-2-82271388 FAX: 886-2-82272198

DESIGN	Will	SCALE		
DRAWING	Will	UNIT	mm	
CHECK	Will	SIZE	A4: 210*297	
APPROVAL	Eric	VERSION	01	

TOLERANCE UNLESS OTHERWISE STATED(mm)	PART NAME	ENCODER SWITCH
less than 10 — ±0.2	PART NO	IRE-01
10~30 — ±0.3	DRAWING NO	
30~100 — ±0.5	DATE	2009/10/02
ANGIE — ±2°		