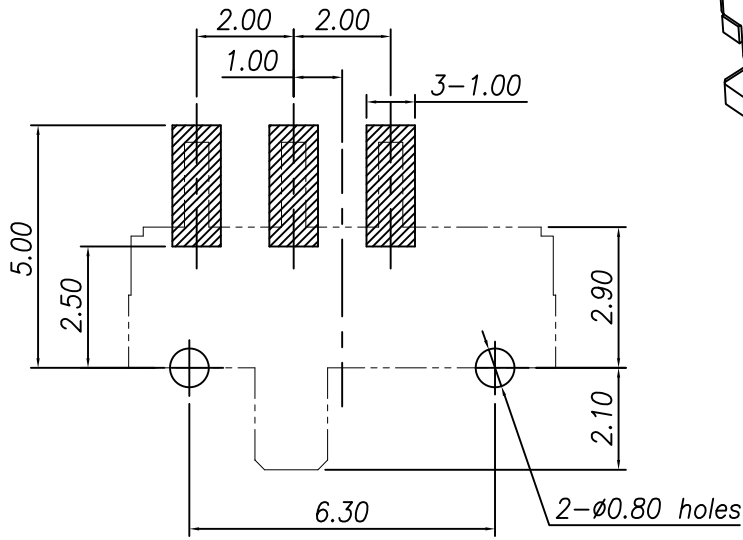
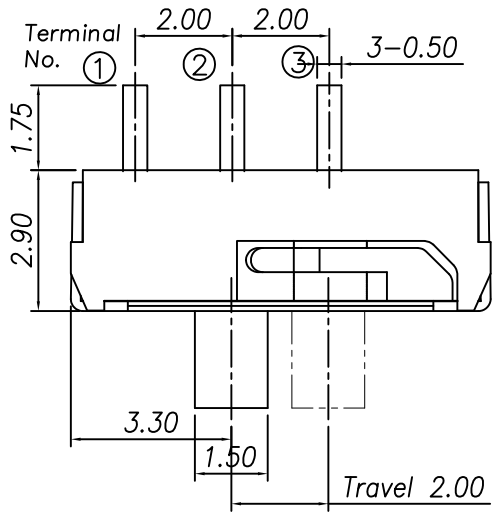
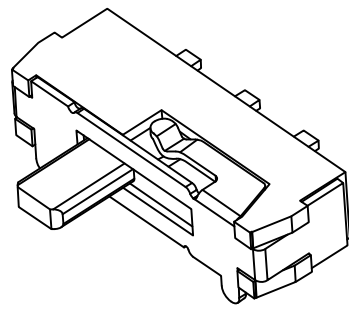


**RoHS**  
**Compatible**

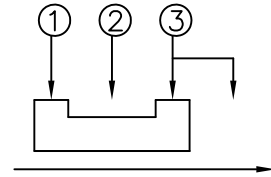
發行  
2012.12.07  
達立

△				
△				
△				
△				
ZONE	REV	DESCRIPTION	DATE	APPD.

P.C.B Mounting  
pattern Dimension

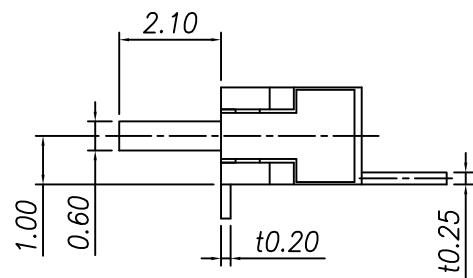
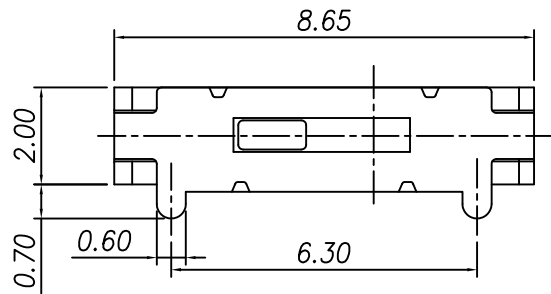


Circuit Diagram  
COM



Specifications

1. Rating : 50mA 12V DC
2. Circuit : 1C-2P
3. Contact resistance : 100mΩ Max.
4. Insulation resistance : 100MΩ Min.
5. Withstand range : 250V 50Hz 1 minute
6. Travel : 2±0.1mm
7. Operating force : 120±50gf
8. Operating life : 10,000 cycles Min.



5	Clip	Phosphor Bronze	1	Ag Plated
4	Cover	Stainless Steel	1	Ag Plated
3	Knob	PPA	1	Black
2	Terminal	Phosphor Bronze	1	Ag Plated
1	Case	PA6T	1	Black
NO	Part Name	Material	Q'ty	Finishing

**達立科技股份有限公司**  
**Dawning Precision Co., Ltd.**  
TEL: 886-2-82271388 FAX: 886-2-82272198

DESIGN	Benson	SCALE		
DRAWING	Benson	UNIT	mm	
CHECK	Benson	SIZE	A4: 210*297	
APPROVAL	Eric	VERSION	01	

TOLERANCE UNLESS OTHERWISE STATED(mm)	PART NAME	SLIDE SWITCH
less than 5 ±0.2	PART NO	SS-B70-BK-S085
5~10 ±0.3	DRAWING NO	
10~30 ±0.4	DATE	2012/11/29
ANGIE ±2°		