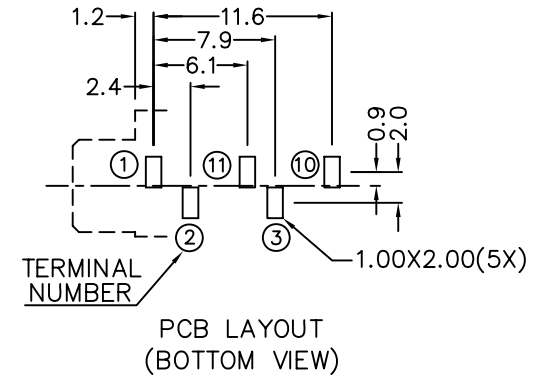
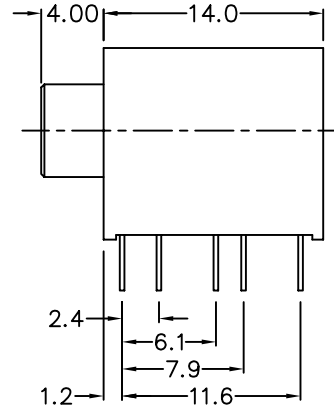
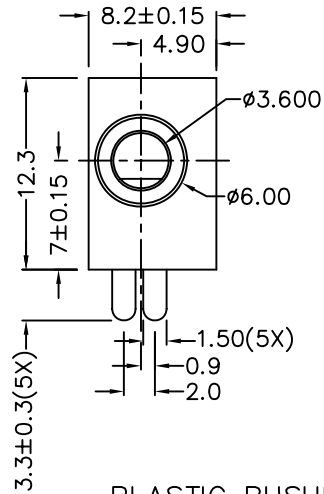
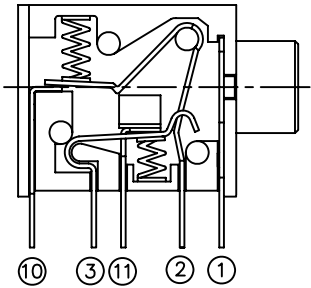
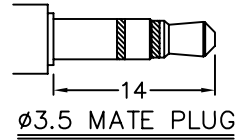
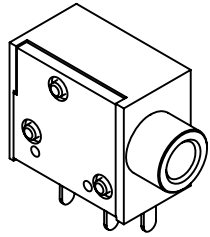


RoHS
Compatible

△				
△				
△				
△				
ZONE	REV	DESCRIPTION	DATE	APPD.



PLASTIC BUSHING

* MATERIAL

- TERMINAL 1 : COPPER ALLOY
- TERMINAL 2 : BRASS
- TERMINAL 3 : BRASS
- TERMINAL 10 : BRASS
- TERMINAL 11 : BRASS
- SPRING : STAINLESS STEEL
- HOUSING : PBT
- COVER : PBT

MODEL NO.	PJ-3635	PJ-3634A	PJ-3634B	PJ-3633	PJ-3633A
SCHEMATIC					

達立科技股份有限公司

Dawning Precision Co., Ltd.

TEL: 886-2-82271388 FAX: 886-2-82272198

DESIGN	Will	SCALE		
DRAWING	Will	UNIT	mm	
CHECK	Will	SIZE	A4: 210*297	
APPROVAL	Eric	VERSION	01	

TOLERANCE UNLESS OTHERWISE STATED(mm)
less than 10 — ±0.2
10~30 — ±0.3
30~100 — ±0.5
ANGIE — ±2°

PART NAME	PHONE JACK
PART NO	PJ-363 SERIES
DRAWING NO	
DATE	2009/11/24