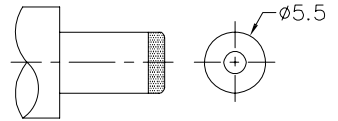
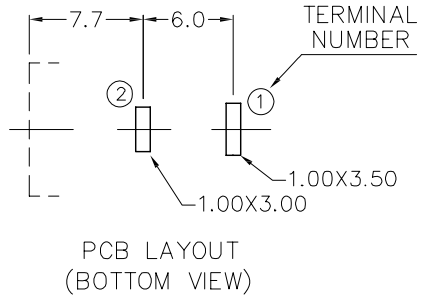
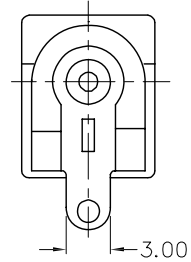
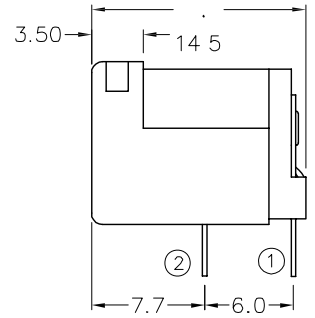
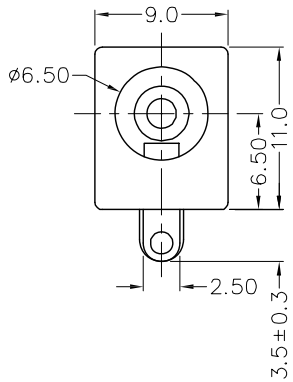
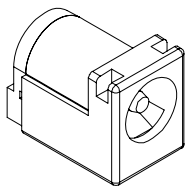
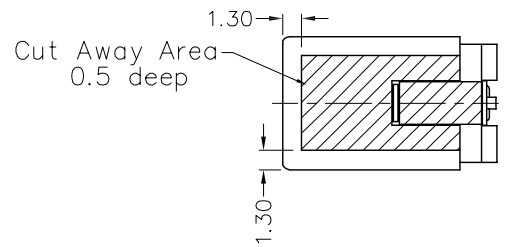


**RoHS**  
**Compatible**

▲				
▲				
▲				
▲				
ZONE	REV	DESCRIPTION	DATE	APPD.



DC MATE PLUG



MODEL NO.	DC-017
SCHEMATIC	1
	2
CENTER PIN	ø2mm
	ø2.5mm

\* MATERIAL  
 TERMINAL 1 : BRASS  
 TERMINAL 2 : COPPER ALLOY  
 CENTER PIN : COPPER  
 HOUSING : PBT  
 COVER : PBT

**達立科技股份有限公司**  
**Dawning Precision Co., Ltd.**  
 TEL: 886-2-82271388 FAX: 886-2-82272198

DESIGN	Will	SCALE		
DRAWING	Will	UNIT	mm	
CHECK	Will	SIZE	A4: 210*297	
APPROVAL	Eric	VERSION	01	

TOLERANCE UNLESS OTHERWISE STATED(mm)	
less than 10	±0.2
10~30	±0.3
30~100	±0.5
ANGIE	±2°

PART NAME	DC POWER SOCKET
PART NO	DC-017
DRAWING NO	
DATE	2009/06/09