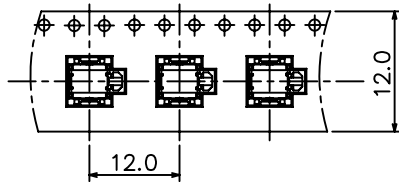


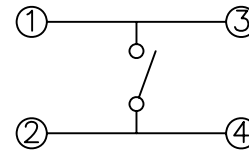
|      |     |             |            |       |
|------|-----|-------------|------------|-------|
| ▲    |     |             |            |       |
| ▲    |     |             |            |       |
| ▲    |     |             |            |       |
| ▲    | ▲   | 增加肉厚 0.3mm  | 03/10/2010 | Will. |
| ZONE | REV | DESCRIPTION | DATE       | APPD. |

Tape & Reel Specifications  
Component Orientation

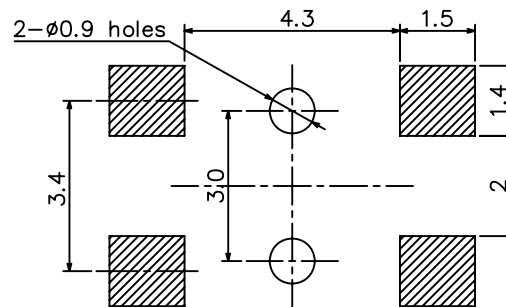


Direction of feed →

Circuit diagram

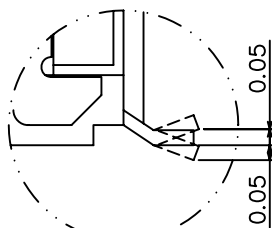
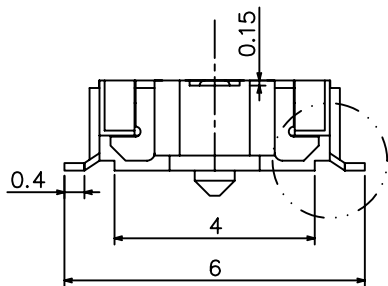
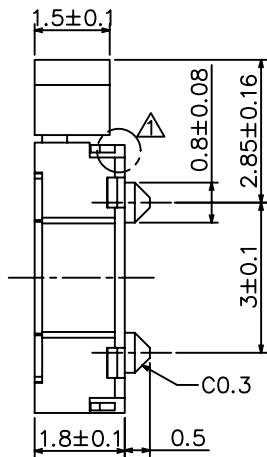
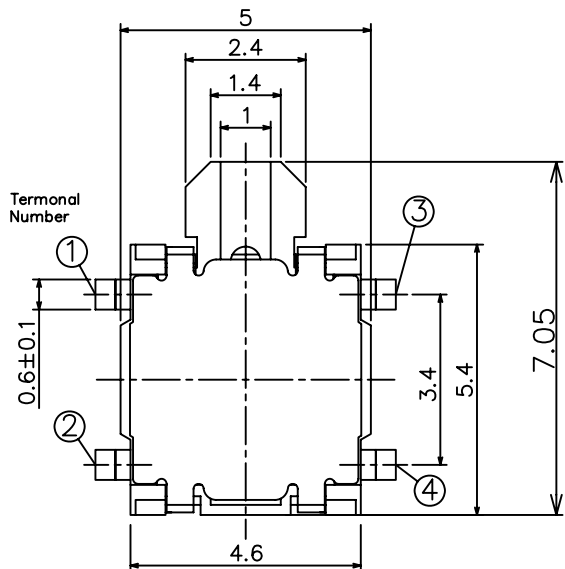


P.C.B Mounting  
pattern Dimension



**RoHS**  
**Compatible**

發行  
2010.03.10  
達立



Scale 1:2

Specifications

1. Rating : 50mA 12V DC
2. Contact resistance : 500mΩ Max.
3. Insulation resistance : 100MΩ Min, 100V DC
4. Withstanding voltage : 250V AC for 1minute
5. Operating force : 180<sup>+80</sup> gf
6. Travel : 0.3±0.15mm
7. Release force : 20gf
8. Operating life : 50,000 cycles
9. Operating temperature range -20 to 70°

達立科技股份有限公司

Dawning Precision Co., Ltd.  
TEL: 886-2-82271388 FAX: 886-2-82272198

|          |      |         |             |  |
|----------|------|---------|-------------|--|
| DESIGN   | Will | SCALE   |             |  |
| DRAWING  | Will | UNIT    | mm          |  |
| CHECK    | Will | SIZE    | A4: 210*297 |  |
| APPROVAL | Eric | VERSION | 01          |  |

|                                       |
|---------------------------------------|
| TOLERANCE UNLESS OTHERWISE STATED(mm) |
| less than 10 — ±0.2                   |
| 10~30 — ±0.3                          |
| 30~100 — ±0.5                         |
| ANGLE — ±2°                           |

|            |                  |
|------------|------------------|
| PART NAME  | TACT SWITCH      |
| PART NO    | TSS11-EF-180-T20 |
| DRAWING NO |                  |
| DATE       | 2009/08/20       |