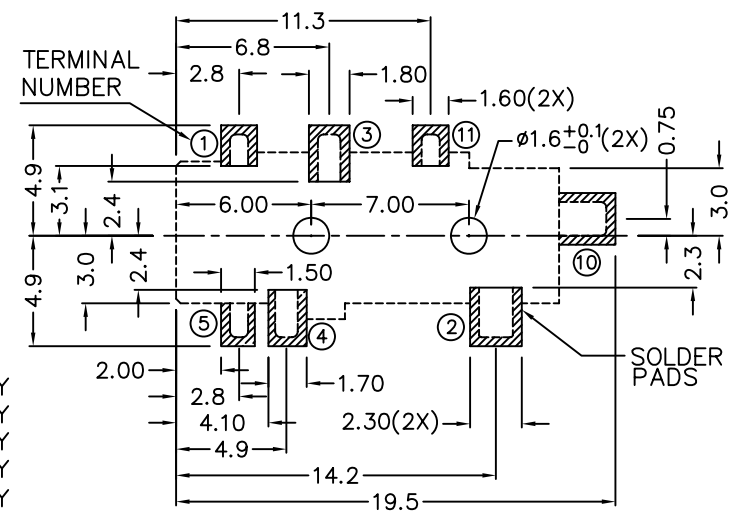
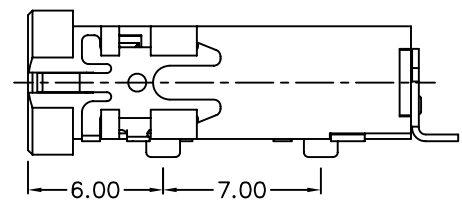
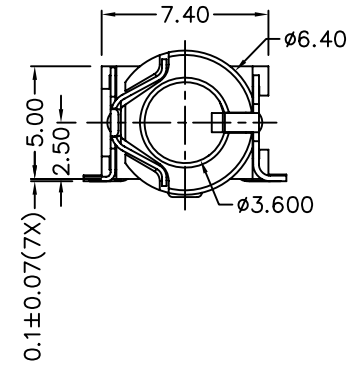
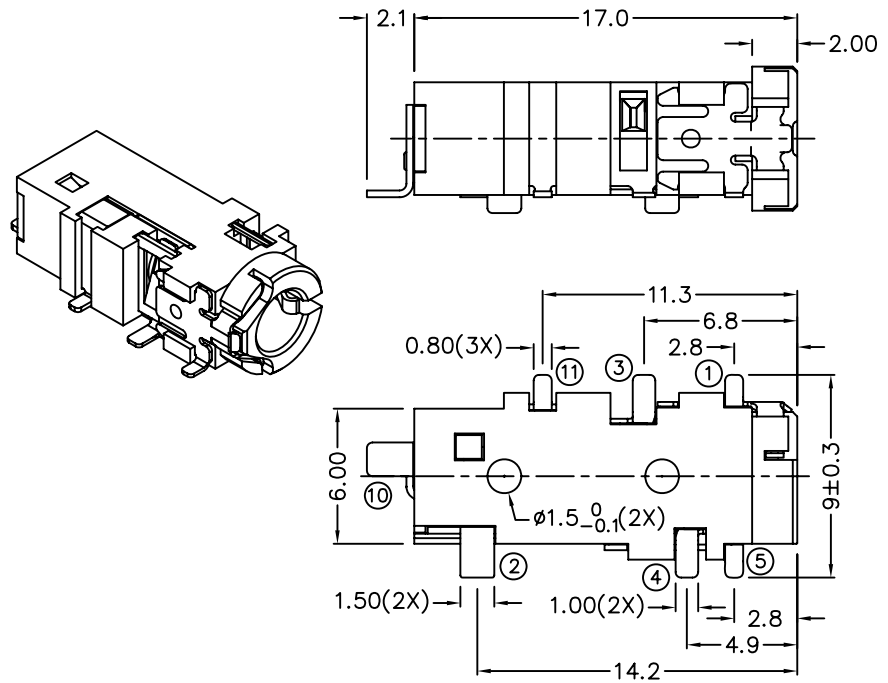


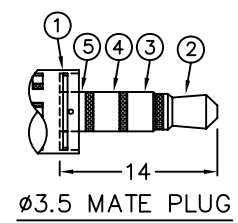
RoHS
Compatible

△				
△				
△				
△				
ZONE	REV	DESCRIPTION	DATE	APPD.



*** MATERIAL**
 TERMINAL 1 : COPPER ALLOY
 TERMINAL 2 : COPPER ALLOY
 TERMINAL 3 : COPPER ALLOY
 TERMINAL 4 : COPPER ALLOY
 TERMINAL 5 : COPPER ALLOY
 TERMINAL 10: BRASS
 TERMINAL 11: BRASS
 HOUSING : PA6T
 COVER : PA6T

MODEL NO.	PJ-3827D	PJ-3825D
SCHEMATIC		
	○ 1	○ 1
	○ 5	○ 5
	○ 4	○ 4
	○ 3	○ 3
	○ 11	○ 11
	○ 10	○ 10
	○ 2	○ 2



達立科技股份有限公司
Dawning Precision Co., Ltd.
 TEL: 886-2-82271388 FAX: 886-2-82272198

DESIGN	Will	SCALE		
DRAWING	Will	UNIT	mm	
CHECK	Will	SIZE	A4: 210*297	
APPROVAL	Eric	VERSION	01	

TOLERANCE UNLESS OTHERWISE STATED(mm) less than 10 — ±0.2 10~30 — ±0.3 30~100 — ±0.5 ANGLE — ±2'	PART NAME	PHONE JACK
	PART NO	PJ-382D SERIES
	DRAWING NO	
	DATE	2009/11/25