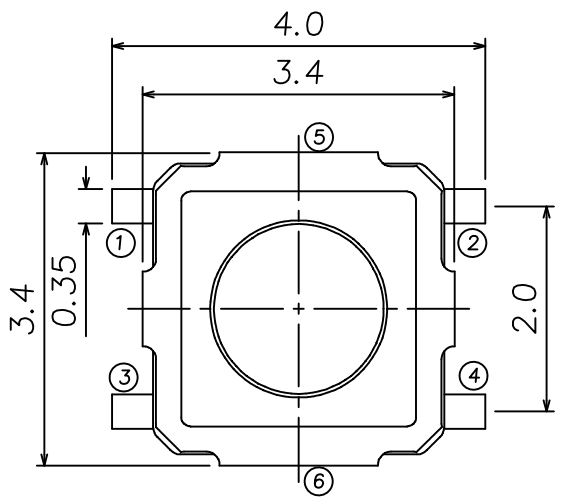
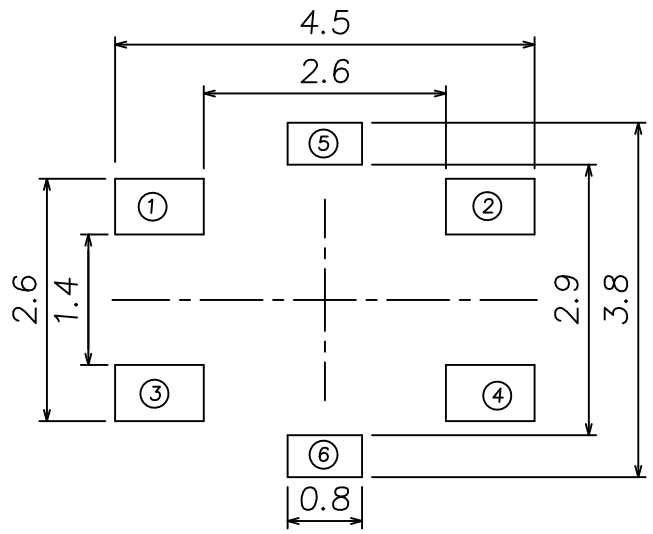
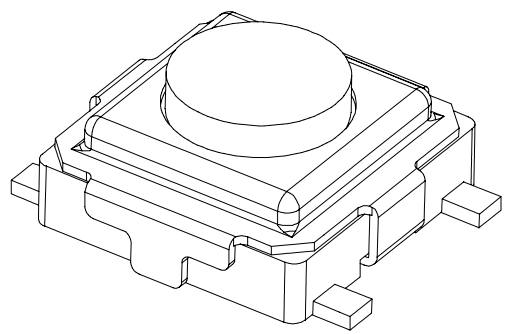
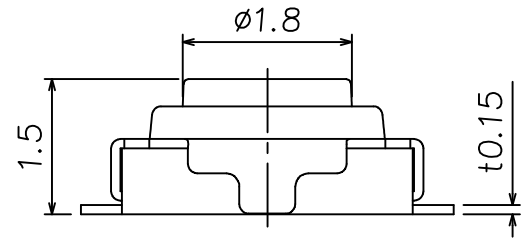


RoHS
Compatible

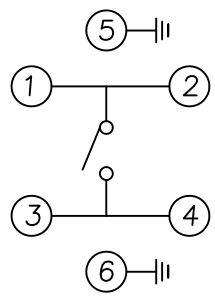
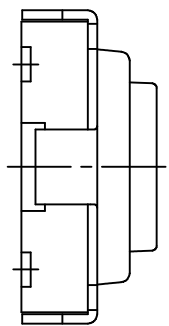
發行
2013.04.08
達立

△				
△				
△				
△				
ZONE	REV	DESCRIPTION	DATE	APPD.

P.C.B Mounting
pattern Dimension



Circuit diagram



Specification

1. Rating : DC12V 50mA Max.
2. Contact resistance : 100mΩ Max.
3. Insulation resistance : 100MΩ Min.
4. Operating force : 160±50gf.
5. Travel : 0.20±0.1mm.
6. Operating life : 100,000 cycles.

6	Dust Cover	Pi Film	1	Yellow
5	Terminal	Brass	4	Ag Plated
4	Cover	SUS	1	Ag Plated
3	Contact	SUS	2	Ag Clad
2	Stem	Liquid crystal polymer	1	White
1	Case	Liquid crystal polymer	1	White
NO	Part Name	Material	Q'ty	Remark

達立科技股份有限公司
Dawning Precision Co., Ltd.
TEL: 886-2-82271388 FAX: 886-2-82272198

DESIGN	Frank	SCALE		
DRAWING	Frank	UNIT	mm	
CHECK	Frank	SIZE	A4: 210*297	
APPROVAL	Eric	VERSION	01	

TOLERANCE UNLESS OTHERWISE STATED (mm)	PART NAME	TACT SWITCH
less than 10 — ±0.2	PART NO	TS-307KF-2-S085
10~30 — ±0.3	DRAWING NO	
30~100 — ±0.5	DATE	2013/04/08
ANGIE — ±2°		