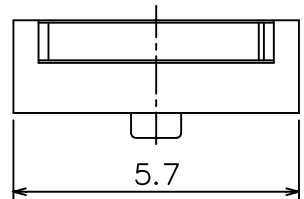
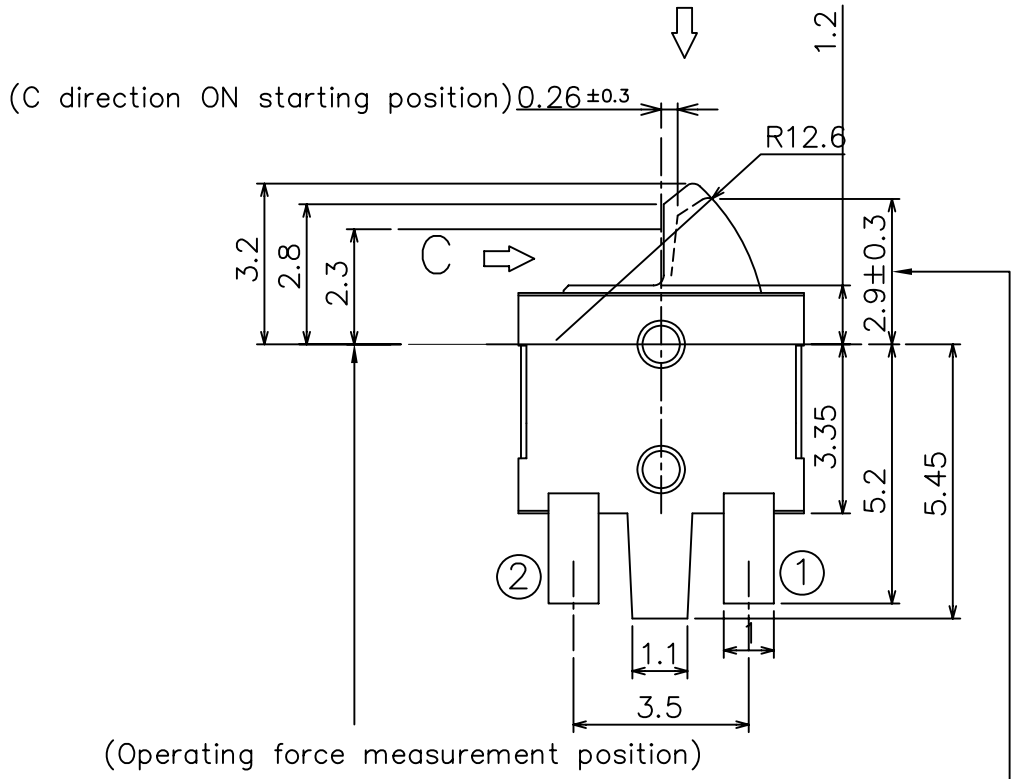


RoHS
Compatible

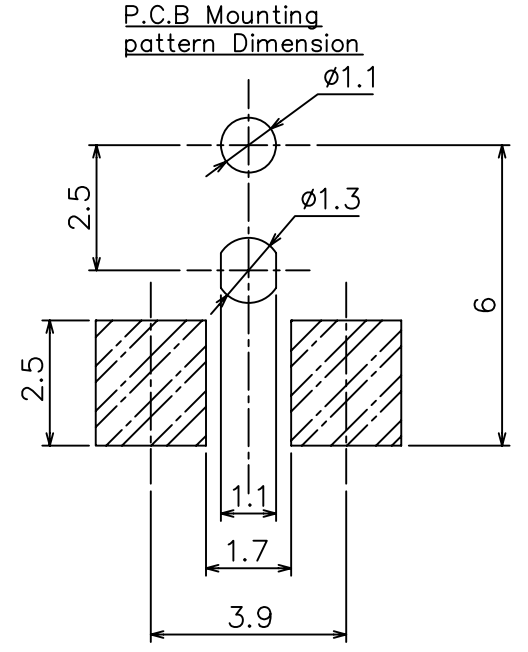
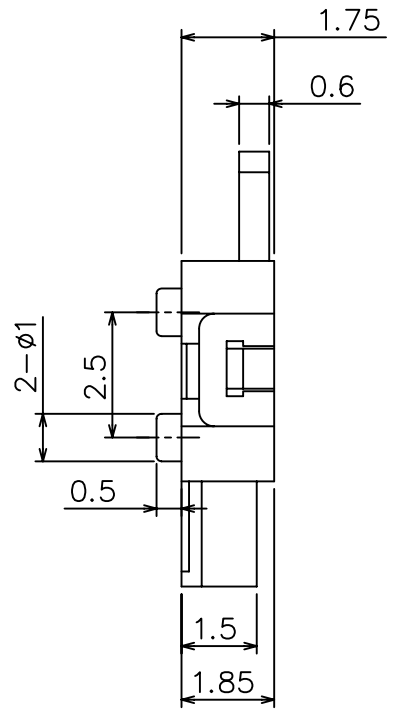
▲				
▲				
▲				
▲				
ZONE	REV	DESCRIPTION	DATE	APPD.



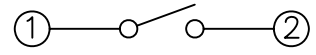
B (Total travel position)



(B direction ON starting position)



Circuit diagram



達立科技股份有限公司
Dawning Precision Co., Ltd.
TEL: 886-2-82271388 FAX: 886-2-82272198

DESIGN	Will	SCALE		
DRAWING	Will	UNIT	mm	
CHECK	Will	SIZE	A4: 210*297	
APPROVAL	Eric	VERSION	01	

TOLERANCE UNLESS OTHERWISE STATED(mm)
less than 10 — ±0.2
10~30 — ±0.3
30~100 — ±0.5
ANGIE — ±2°

PART NAME	DETECTOR SWITCH
PART NO	DS-A50
DRAWING NO	
DATE	2010/02/02