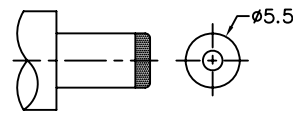
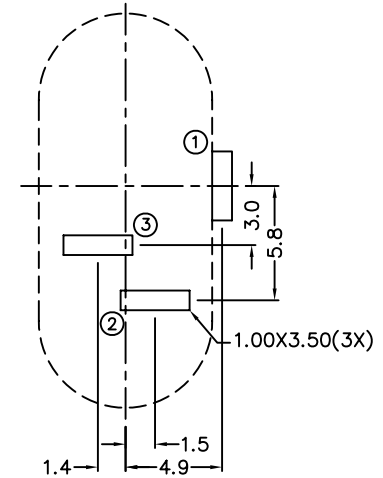
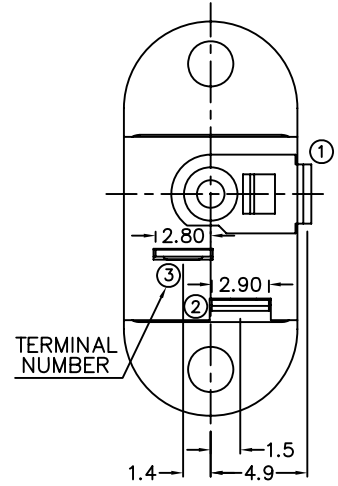
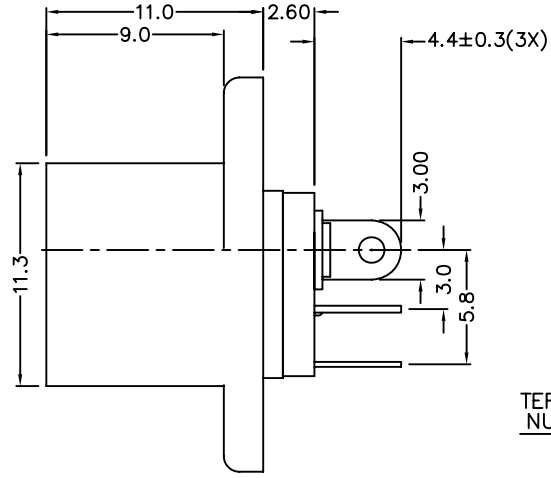
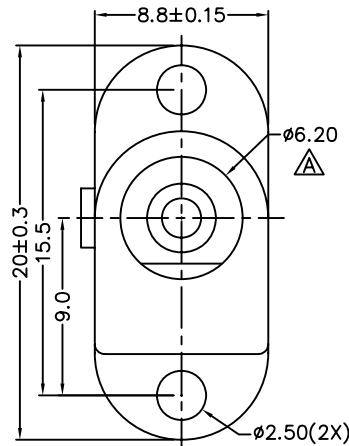
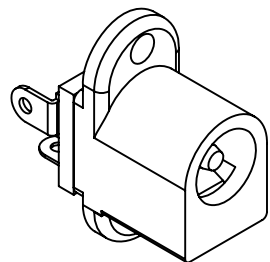


**RoHS**  
**Compatible**

△				
△				
△				
△				
ZONE	REV	DESCRIPTION	DATE	APPD.



DC MATE PLUG

MODEL NO.	DC-019
SCHMATIC	1, 2, 3
CENTER PIN	02mm
	02.5mm

\* MATERIAL  
 CENTRE PIN : COPPER  
 TERMINAL 1 : BRASS  
 TERMINAL 2 : COPPER ALLOY  
 TERMINAL 3 : BRASS  
 HOUSING : PBT  
 COVER : PBT

**達立科技股份有限公司**  
**Dawning Precision Co., Ltd.**  
 TEL: 886-2-82271388 FAX: 886-2-82272198

DESIGN	Will	SCALE		
DRAWING	Will	UNIT	mm	
CHECK	Will	SIZE	A4: 210*297	
APPROVAL	Eric	VERSION	01	

TOLERANCE UNLESS OTHERWISE STATED(mm)
less than 10 ±0.2
10~30 ±0.3
30~100 ±0.5
ANGLE ±2'

PART NAME	DC POWER SOCKET
PART NO	DC-019
DRAWING NO	
DATE	2009/06/09