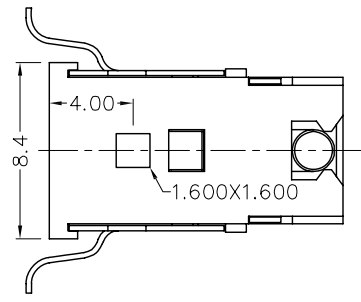
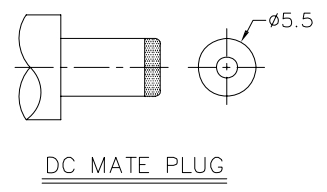
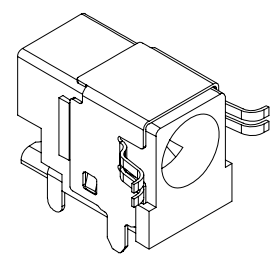
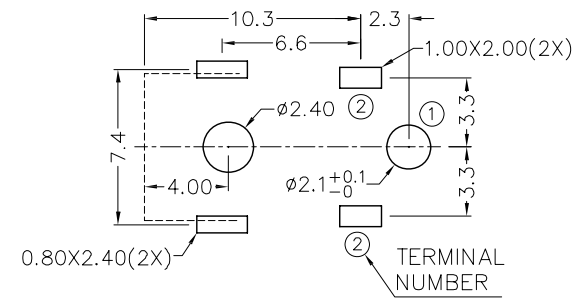
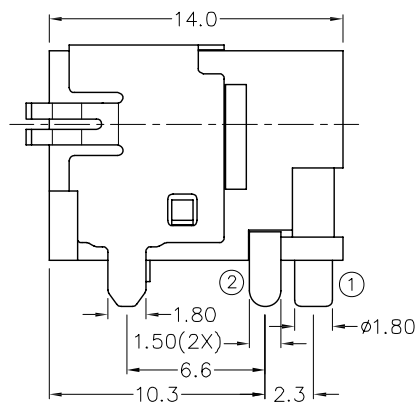
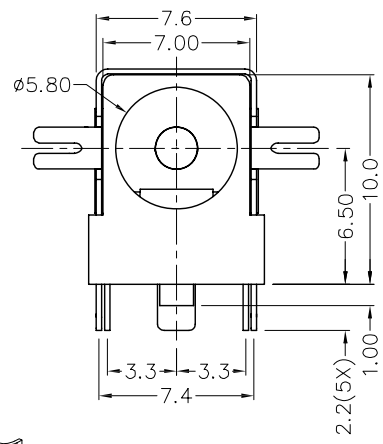


RoHS
Compatible

▲				
▲				
▲				
▲				
ZONE	REV	DESCRIPTION	DATE	APPD.



*** MATERIAL**

- TERMINAL 1 : BRASS
- TERMINAL 2 : COPPER ALLOY
- SHIELD : COPPER ALLOY
- HOUSING : PBT

MODEL NO.	DC-044S-1
SCHMATIC	
CENTER PIN	ø2mm
	ø2.5mm

達立科技股份有限公司
Dawning Precision Co., Ltd.
TEL: 886-2-82271388 FAX: 886-2-82272198

DESIGN	Will	SCALE			TOLERANCE UNLESS OTHERWISE STATED(mm)	PART NAME	DC POWER SOCKET	
DRAWING	Will	UNIT	mm		less than 10	±0.2	PART NO	DC-044S-1
CHECK	Will	SIZE	A4: 210*297		10~30	±0.3	DRAWING NO	
APPROVAL	Eric	VERSION	01		30~100	±0.5	DATE	2009/06/09
					ANGIE	±2'		