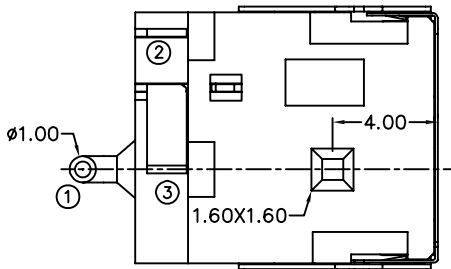
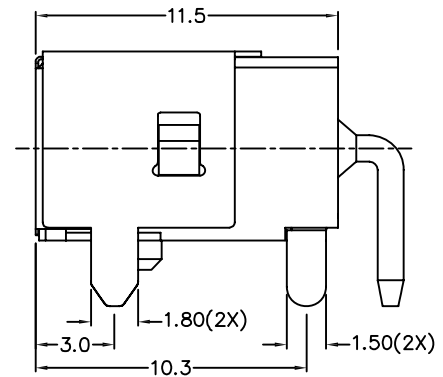
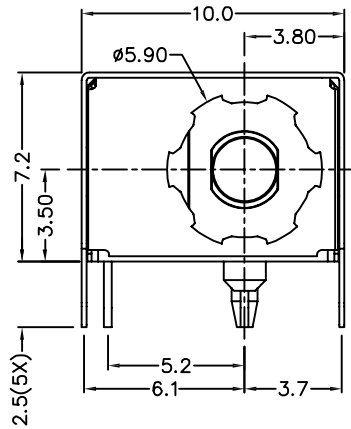
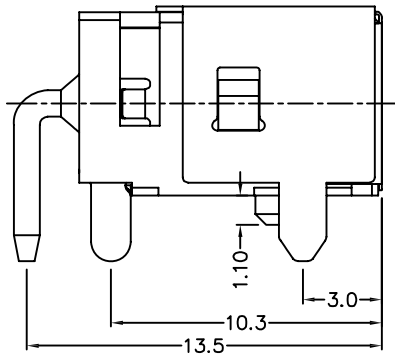
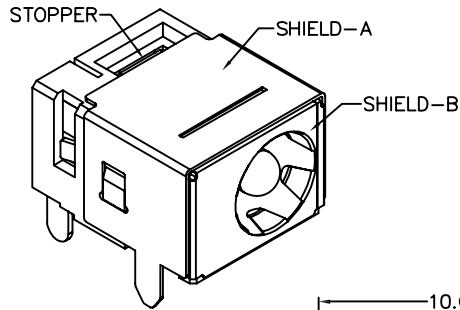


RoHS
Compatible

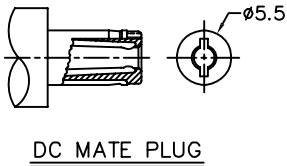
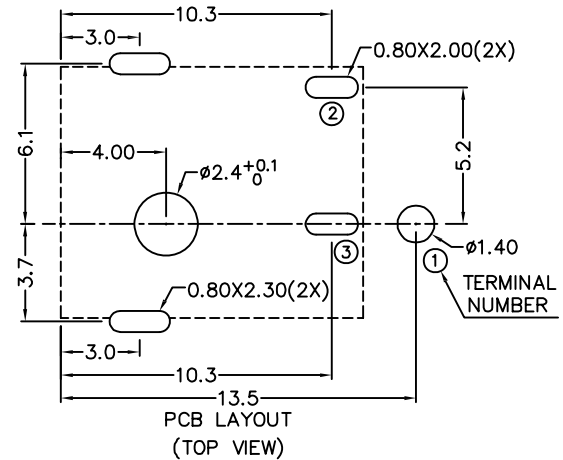
△				
△				
△				
△				
ZONE	REV	DESCRIPTION	DATE	APPD.



***MATERIAL**

- TERMINAL 1 : BRASS
- TERMINAL 2 : COPPER ALLOY
- TERMINAL 3 : BRASS
- STOPPER : C.R.STEEL
- SHIELD-A : BRASS
- SHIELD-B : STAINLESS STEEL
- HOUSING : PA6T

MODEL NO.	DC-083HS
SCHEMATIC	1, 2, 3
CENTER PIN	ø2.5mm



達立科技股份有限公司

Dawning Precision Co., Ltd.

TEL: 886-2-82271388 FAX: 886-2-82272198

DESIGN	Will	SCALE		
DRAWING	Will	UNIT	mm	
CHECK	Will	SIZE	A4: 210*297	
APPROVAL	Eric	VERSION	01	

TOLERANCE UNLESS OTHERWISE STATED(mm)
less than 10 — ±0.2
10~30 — ±0.3
30~100 — ±0.5
ANGIE — ±2°

PART NAME	DC POWER SOCKET
PART NO	DC-083HS
DRAWING NO	
DATE	2010/04/26