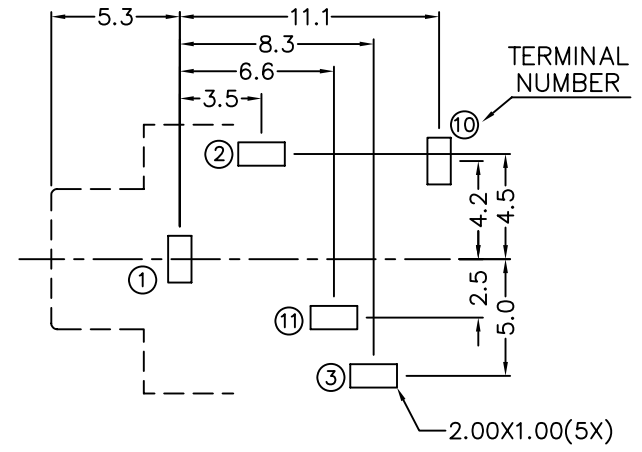
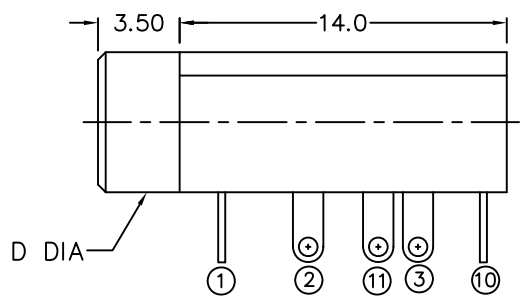
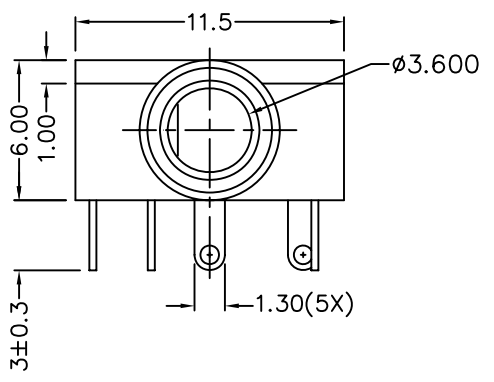
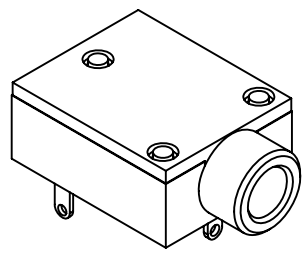


RoHS
Compatible

發行
2009.08.31
達立

△				
△				
△				
△				
ZONE	REV	DESCRIPTION	DATE	APPD.

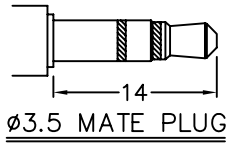


PCB LAYOUT
(BOTTOM VIEW)

THREADED	M6X0.5	MODEL NO.	PJ-3525N	PJ-3524AN	PJ-3524BN	PJ-3523N	PJ-3523AN	PJ-3522N
FLASHED	φ6.0	MODEL NO.	PJ-3525F	PJ-3524AF	PJ-3524BF	PJ-3523F	PJ-3523AF	PJ-3522F
D DIA		SCHEMATIC						

*MATERIAL

- TERMINAL 1 : BRASS
- TERMINAL 2 : BRASS
- TERMINAL 3 : BRASS
- TERMINAL 10 : BRASS
- TERMINAL 11 : BRASS
- BUSHING : BRASS
- HOUSING : PBT
- COVER : PC-TRANSPARENT PLASTIC
- SPRING : STAINLESS STEEL



達立科技股份有限公司
Dawning Precision Co., Ltd.
TEL: 886-2-82271388 FAX: 886-2-82272198

DESIGN	Will	SCALE		
DRAWING	Will	UNIT	mm	
CHECK	Will	SIZE	A4: 210*297	
APPROVAL	Eric	VERSION	01	

TOLERANCE UNLESS OTHERWISE STATED(mm)	PART NAME	PHONE JACK
less than 10 — ±0.2	PART NO	PJ-352 SERIES
10~30 — ±0.3	DRAWING NO	
30~100 — ±0.5	DATE	2009/08/31
ANGLE — ±2'		