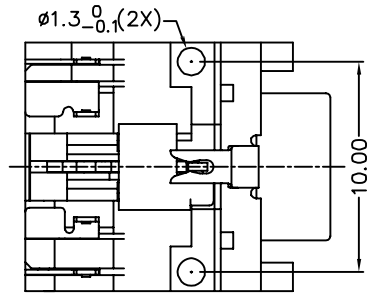
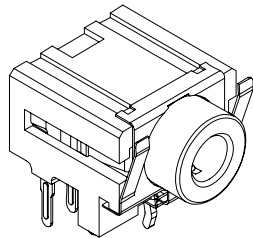
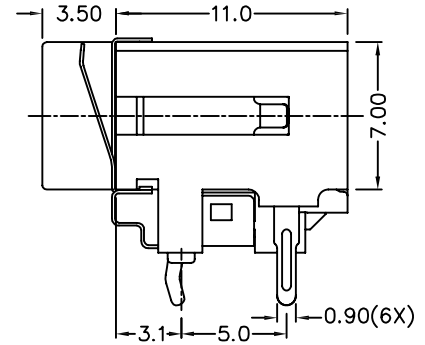
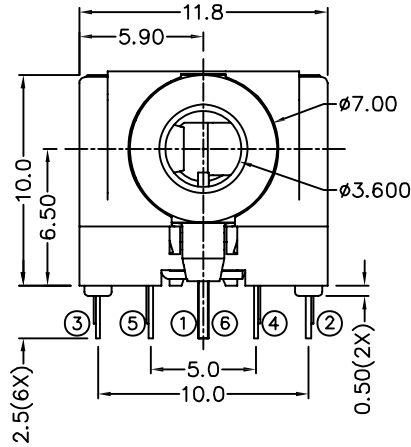
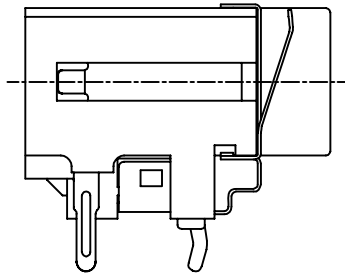
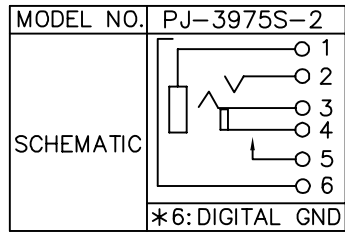
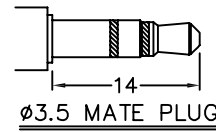


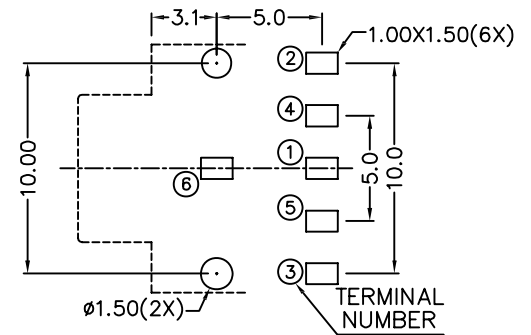
**RoHS**  
**Compatible**

△				
△				
△				
△				
ZONE	REV	DESCRIPTION	DATE	APPD.



**\* MATERIAL**

- TERMINAL 1 : BRASS
- TERMINAL 2 : COPPER ALLOY
- TERMINAL 3 : COPPER ALLOY
- TERMINAL 4 : COPPER ALLOY
- TERMINAL 5 : COPPER ALLOY
- TERMINAL 6 : BRASS
- SHIELD : STAINLESS STEEL
- HOUSING : PBT
- INSULATOR : PBT



PCB LAYOUT  
(BOTTOM VIEW)

**達立科技股份有限公司**

**Dawning Precision Co., Ltd.**

TEL: 886-2-82271388 FAX: 886-2-82272198

DESIGN	Will	SCALE			TOLERANCE UNLESS OTHERWISE STATED(mm)
DRAWING	Will	UNIT	mm		less than 10 — ±0.2
CHECK	Will	SIZE	A4: 210*297		10~30 — ±0.3
APPROVAL	Eric	VERSION	01		30~100 — ±0.5
					ANGIE — ±2'

PART NAME	PHONE JACK
PART NO	PJ-397S-2 SERIES
DRAWING NO	
DATE	2009/12/01