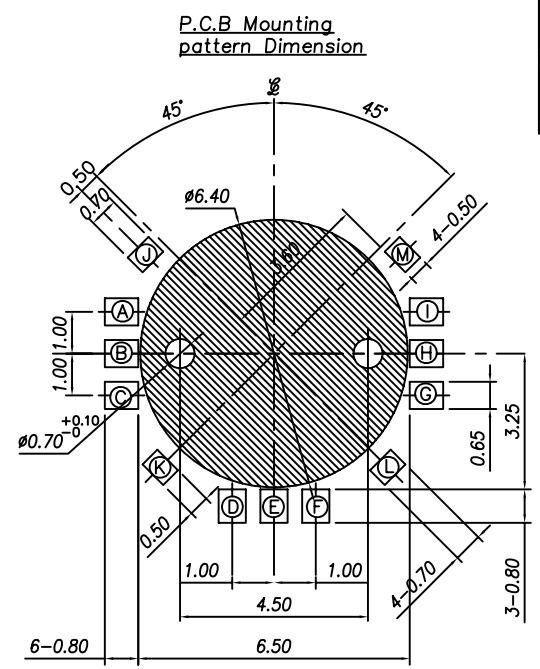
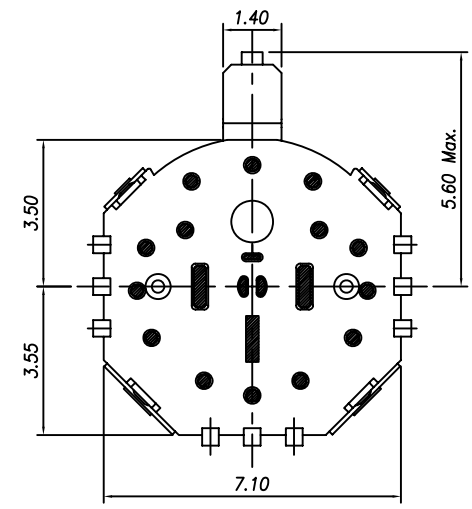
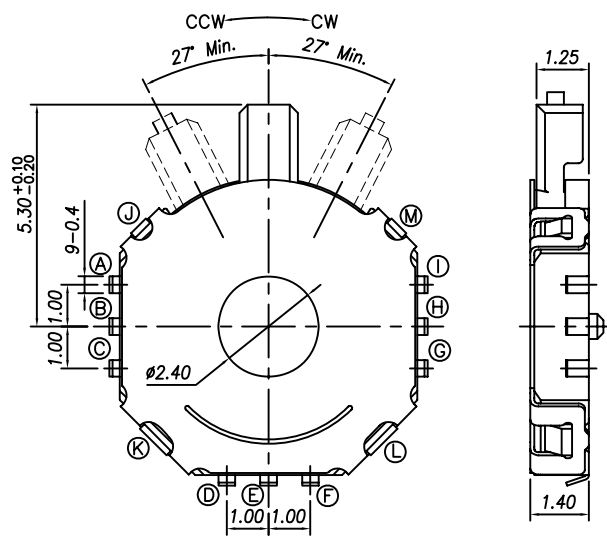


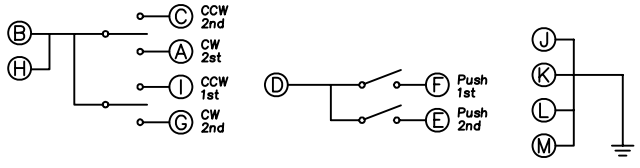
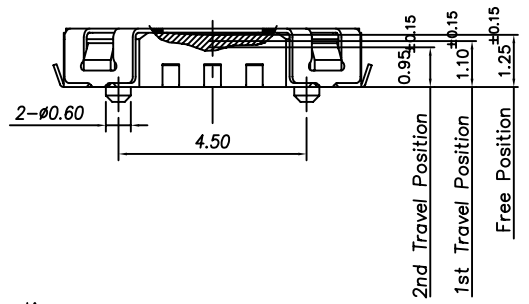
▲				
▲				
▲				
▲				
ZONE	REV	DESCRIPTION	DATE	APPD.

RoHS
Compatible

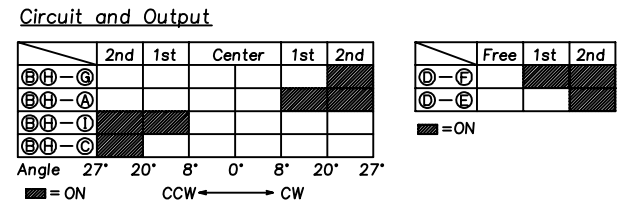
發行
2012.03.23
達立



□ Appointed area of soldering
▨ Prohibition area of exposing patterns



- Specifications:**
- Rating : 3VDC 0.1mA~5VDC 10mA (Resistance load)
 - Contact resistance: 1Ω Max.
 - Insulation resistance : 500VDC-100MΩ Min.
 - Withstand voltage: 100VAC-1minute
 - Operating force: (push)
1st: 70±30gf 2nd: 180±70gf
 - Rotation torque : 50gf. Max.
 - Rotational angle : 1st 8±3°, 2nd 20±30°, full Min. 27°
 - Life cycle: 50,000 cycles Min.



No.	Part Name	Material	Q'ty	Finishing
9	Cover	C5210	1	Ag Plated
8	Push Button	PA6T	1	White
7	Return Spring	SWP-B	1	Ni Plated
6	Lever	PA	1	Black
5	Brush Contact	C5210	1	Ag Plated
4	Click Plate	SUS	1	
3	Contact Blade	SUS	1	Ag Plated
2	Terminal	C5210	1	Ag Plated
1	Base Mold	PA9T	1	Black

達立科技股份有限公司
Dawning Precision Co., Ltd.
TEL: 886-2-82271388 FAX: 886-2-82272198

DESIGN	Will	SCALE		TOLERANCE UNLESS OTHERWISE STATED(mm)		PART NAME	MULTIFUNCTION SWITCH
DRAWING	Will	UNIT	mm	less than 10	±0.2	PART NO	K27-S009
CHECK	Will	SIZE	A4: 210*297	10~30	±0.3	DRAWING NO	
APPROVAL	Eric	VERSION	01	30~100	±0.5	DATE	2012/03/23
				ANGLE	±2°		

www.dawning2.com.tw