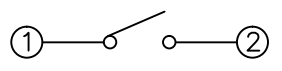


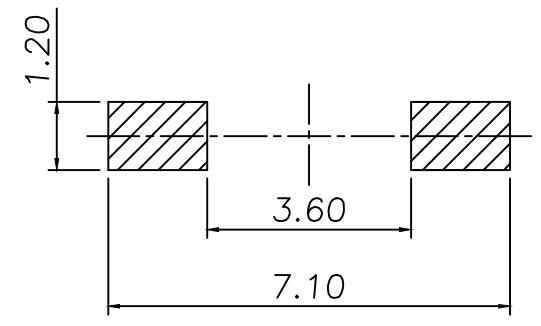
RoHS
Compatible

△				
△				
△				
△				
ZONE	REV	DESCRIPTION	DATE	APPD.

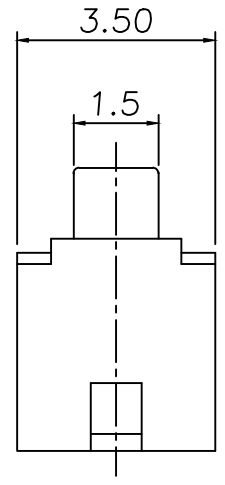
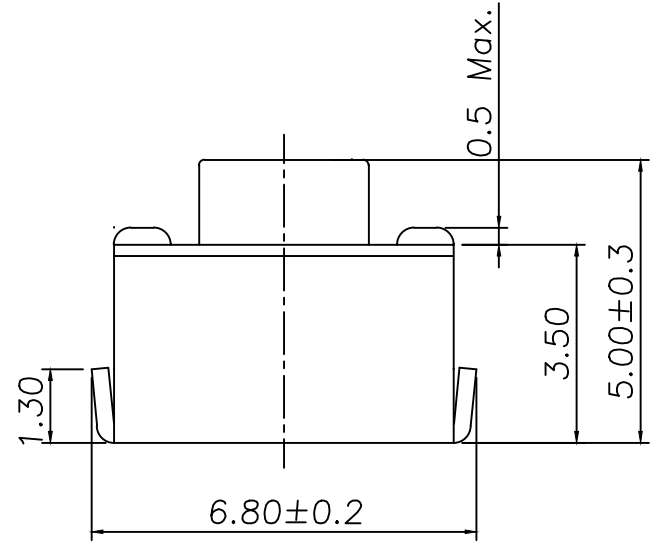
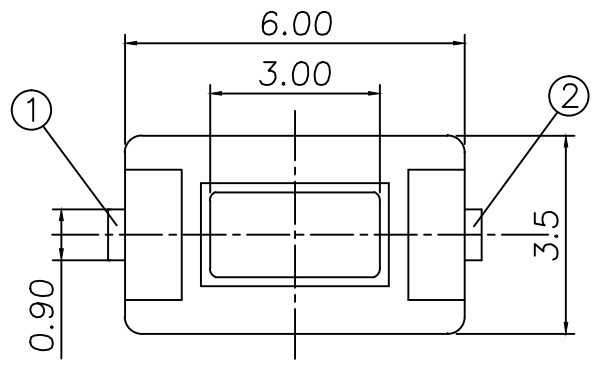
Circuit Diagram



P.C.B Mounting pattern Dimension



達立
2015.02.24
發行



Specifcation

1. Rating : DC 12V 50mA Max.
2. Contact resistance : 100mΩ Max.
3. Insulation resistance : 100MΩ Min.
4. Travel : 0.25±0.1mm
5. Operating life : 30,000 cycles Min.
6. Operating force: 160±50g

5	Contact	Stainless	1	Ag Clad
4	Cover	SPTe	1	Sn Plated
3	Knob	PPA	1	Black
2	Terminal	Brass	1	Ag Plated
1	Case	PPA	1	Black
No.	Part Name	Material	Q"ty	Finishing

達立科技股份有限公司
Dawning Precision Co.,Ltd.
TEL: 886-2-82271388 FAX: 886-2-82272198

DESIGN	Frank	SCALE	
DRAWING	Ross	UNIT	mm
CHECK	Elsa	SIZE	A4: 210*297
APPROVAL	Eric	VERSION	01

TOLERANCE UNLESS OTHERWISE STATED(mm)	PART NAME	TACT SWITCH
less than 10 — ±0.2	PART NO	TS-A01NHA-2-S085
10~30 — ±0.3	DRAWING NO	
30~100 — ±0.5	DATE	2015/02/24
ANGLE — ±2'		

www.dawning2.com.tw