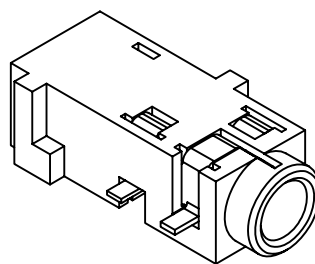
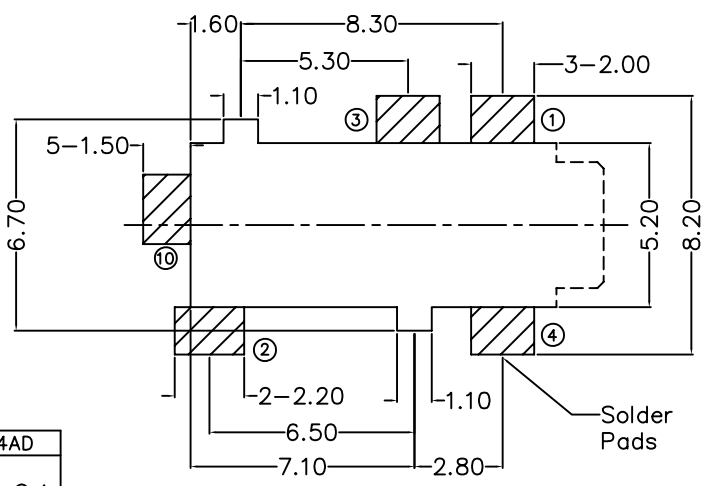
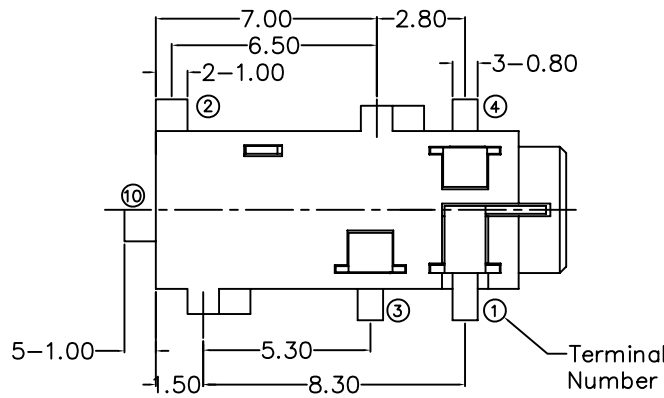
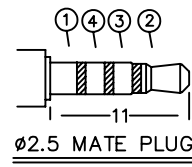
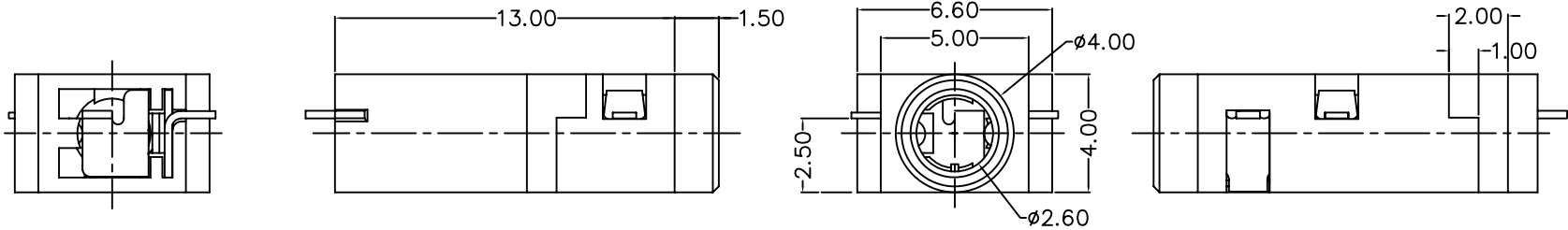


**RoHS**  
**Compatible**

△				
△				
△				
△				
ZONE	REV	DESCRIPTION	DATE	APPD.



FOR EXTRA SLIM APPLICATION



\* MATERIAL  
 TERMINAL 1 : COPPER ALLOY  
 TERMINAL 2 : COPPER ALLOY  
 TERMINAL 3 : COPPER ALLOY  
 TERMINAL 4 : COPPER ALLOY  
 TERMINAL 10: BRASS  
 HOUSING : PA6T

MODEL NO.	PJ-2775D	PJ-2774D	PJ-2774AD
SCHMATIC			

**達立科技股份有限公司**  
**Dawning Precision Co., Ltd.**  
 TEL: 886-2-82271388 FAX: 886-2-82272198

DESIGN	Will	SCALE		
DRAWING	Will	UNIT	mm	
CHECK	Will	SIZE	A4: 210*297	
APPROVAL	Eric	VERSION	01	

TOLERANCE UNLESS OTHERWISE STATED(mm)
less than 10 — ±0.2
10~30 — ±0.3
30~100 — ±0.5
ANGIE — ±2°

PART NAME	PHONE JACK
PART NO	PJ-277D SERIES
DRAWING NO	
DATE	2009/10/20

www.dawning2.com.tw