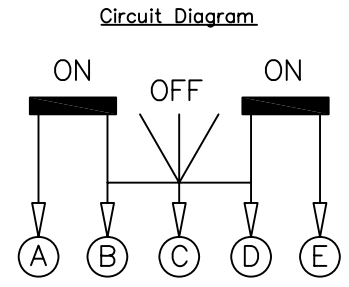
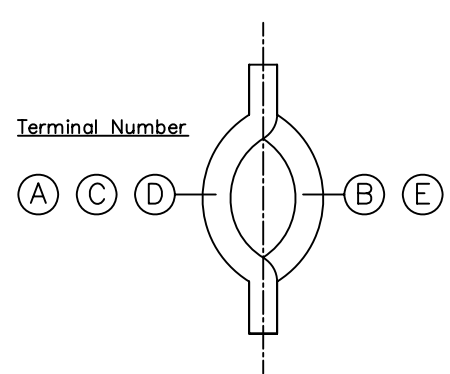
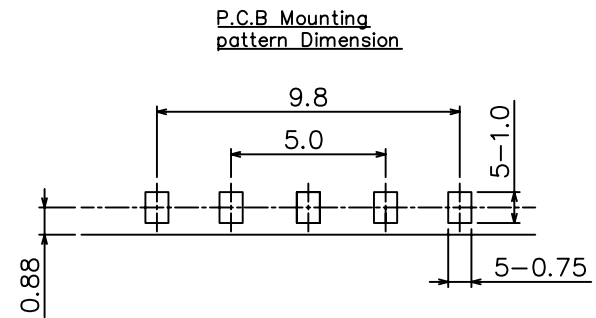
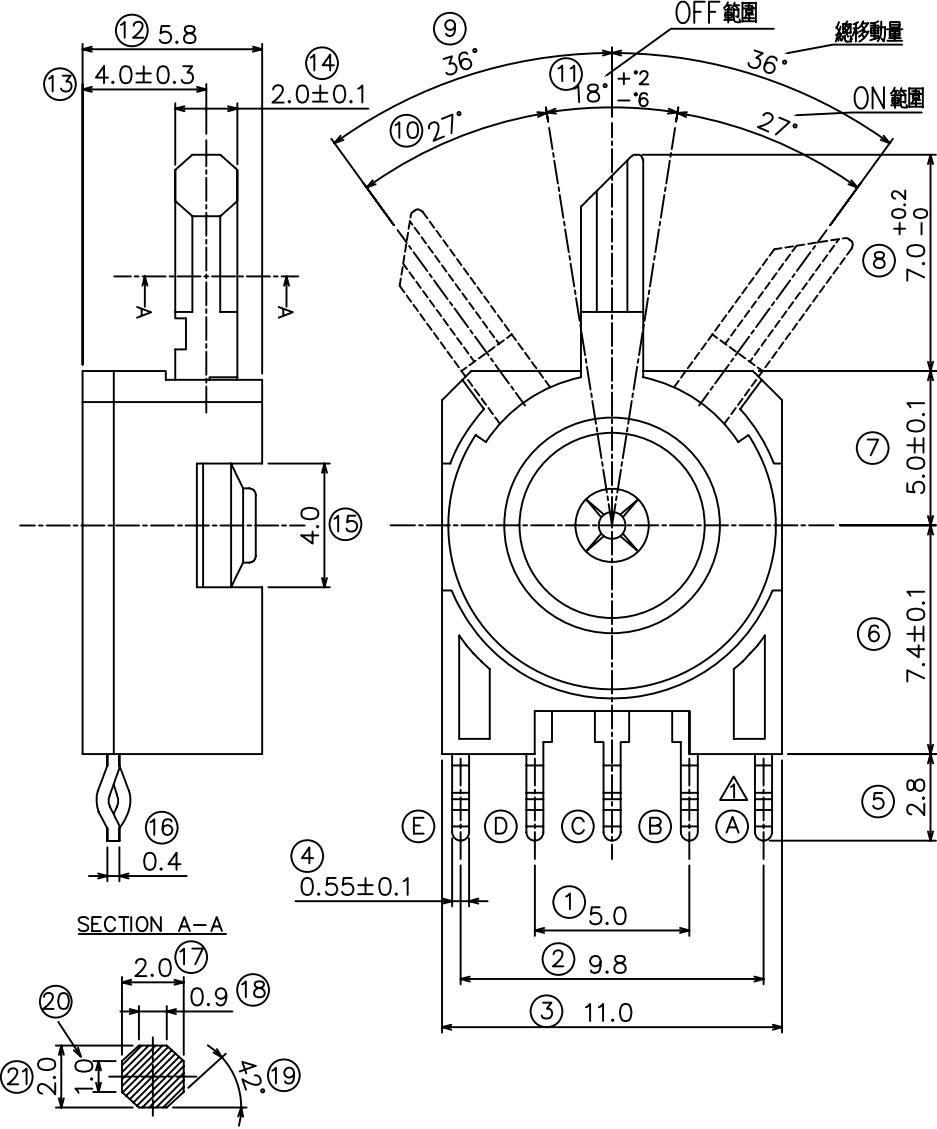


RoHS
Compatible

△				
△				
△				
△	02	修改通腳球號	2010/02/10	Will
ZONE	REV	DESCRIPTION	DATE	APPD.



- Specifications**
1. Rating : DC 12V, 0.1A Max.
 2. Contact resistance: 100mΩ Max.(inital)
 3. Insulation resistance : 100MΩ-100VDC Min.
 4. Operating force : up to 70gf
 5. Operating life : 100,000 cycles Min.

1	Knob	POM	1	Blue
2	Case	PBT	1	Black
3	Terminal	Brass Strip	5	Ag Plated
4	Contact	PBS Strip	1	Silver Plated
5	Spring	SWP	1	Nature
6	Block	Stainless	1	Silver Plated
NO	Part Name	Material	Q'ty	Finishing

達立科技股份有限公司
Dawning Precision Co., Ltd.
TEL: 886-2-82271388 FAX: 886-2-82272198

DESIGN	Will	SCALE	
DRAWING	Will	UNIT	mm
CHECK	Will	SIZE	A4: 210*297
APPROVAL	Eric	VERSION	02

TOLERANCE UNLESS OTHERWISE STATED(mm)	PART NAME	DETECTOR SWITCH
less than 10 — ±0.3	PART NO	DS-A45
10~30 — ±0.5	DRAWING NO	
30~100 — ±0.8	DATE	2009/01/14
ANGIE — ±5°		