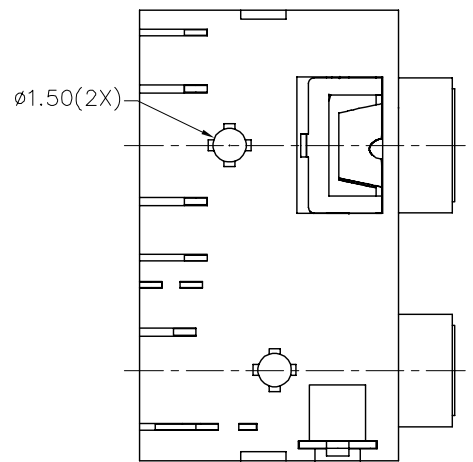
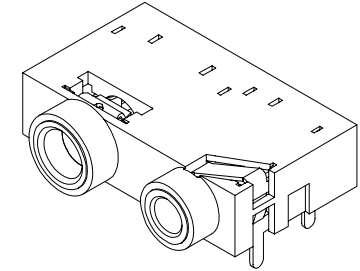
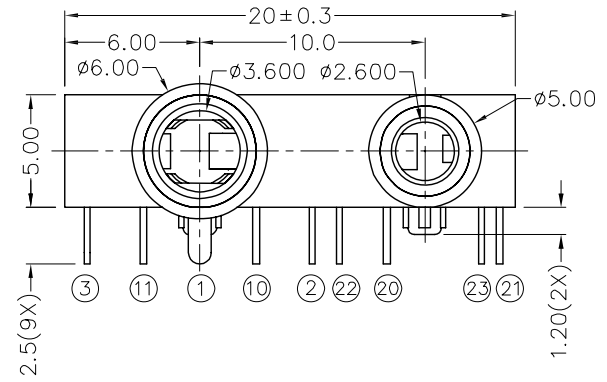
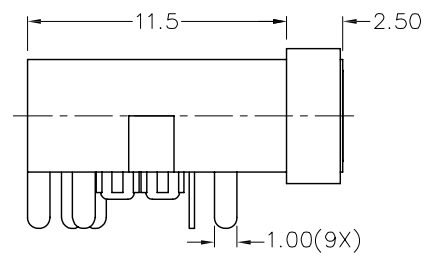
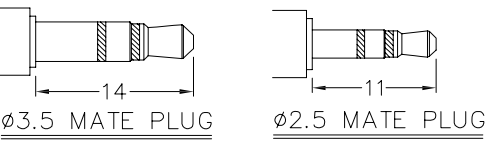


**RoHS**  
**Compatible**

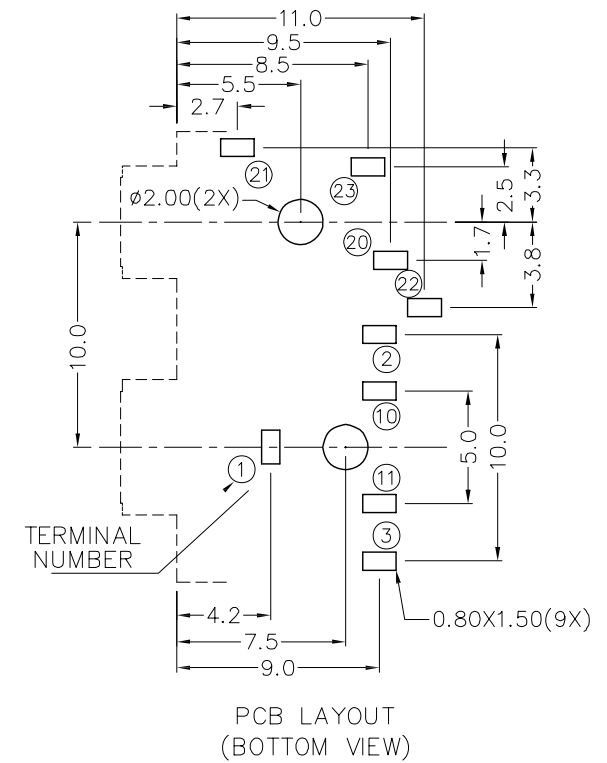
▲				
▲				
▲				
▲				
ZONE	REV	DESCRIPTION	DATE	APPD.



- \* MATERIAL**
- TERMINAL 1 : COPPER ALLOY
  - TERMINAL 2 : COPPER ALLOY
  - TERMINAL 3 : COPPER ALLOY
  - TERMINAL 10 : BRASS
  - TERMINAL 11 : BRASS
  - TERMINAL 20 : BRASS
  - TERMINAL 21 : COPPER ALLOY
  - TERMINAL 22 : COPPER ALLOY
  - TERMINAL 23 : COPPER ALLOY
  - BUSHING : BRASS
  - HOUSING : PBT



MODEL NO.	PJ-3705-4	PJ-3705-3	PJ-3703-4	PJ-3703-3
ø3.5				
SCHMATIC	o1, o3, o11, o10, o2	o1, o3, o11, o10, o2	o1, o3, o2	o1, o3, o2
ø2.5				
SCHMATIC	o21, o23, o20, o22	o21, o23, o20, o22	o21, o23, o20, o22	o21, o23, o20, o22



**達立科技股份有限公司**  
**Dawning Precision Co., Ltd.**  
TEL: 886-2-82271388 FAX: 886-2-82272198

DESIGN	Will	SCALE		
DRAWING	Will	UNIT	mm	
CHECK	Will	SIZE	A4: 210*297	
APPROVAL	Eric	VERSION	01	

TOLERANCE UNLESS OTHERWISE STATED(mm)	PART NAME	PHONE JACK
less than 10 — ±0.2	PART NO	PJ-370 SERIES
10~30 — ±0.3	DRAWING NO	
30~100 — ±0.5	DATE	2009/11/24
ANGIE — ±2°		