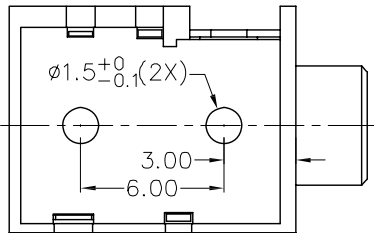
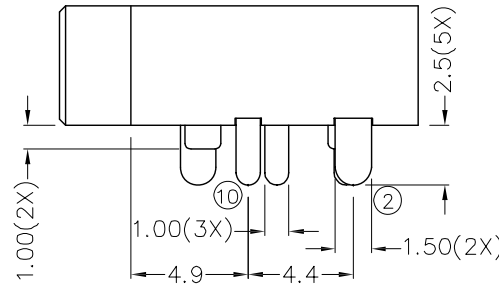
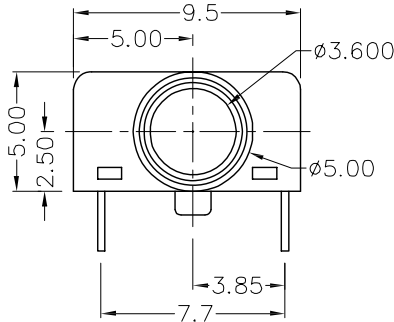
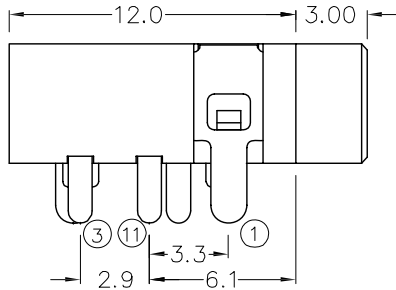
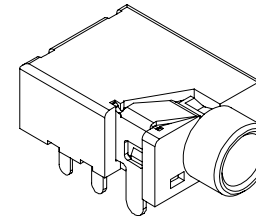
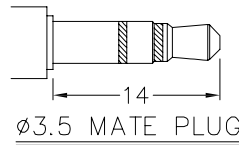


RoHS
Compatible

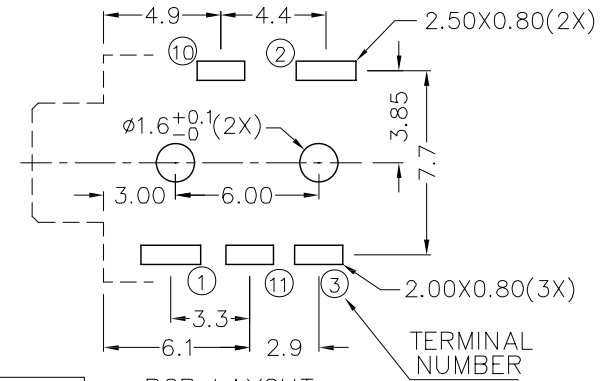
發行
2009.11.30
達立

▲				
▲				
▲				
▲				
ZONE	REV	DESCRIPTION	DATE	APPD.



***MATERIAL**

- TERMINAL 1 : COPPER ALLOY
- TERMINAL 2 : COPPER ALLOY
- TERMINAL 3 : COPPER ALLOY
- TERMINAL 10 : BRASS
- TERMINAL 11 : BRASS
- HOUSING : PA66
- COVER : PA66



MODEL NO.	PJ-3675	PJ-3674A	PJ-3674B	PJ-3673	PJ-3673A
SCHEMATIC					

達立科技股份有限公司

Dawning Precision Co., Ltd.

TEL: 886-2-82271388 FAX: 886-2-82272198

DESIGN	Will	SCALE		
DRAWING	Will	UNIT	mm	
CHECK	Will	SIZE	A4: 210*297	
APPROVAL	Eric	VERSION	01	

TOLERANCE UNLESS OTHERWISE STATED(mm)	
less than 10	±0.2
10~30	±0.3
30~100	±0.5
ANGIE	±2°

PART NAME	PHONE JACK
PART NO	PJ-367 SERIES
DRAWING NO	
DATE	2009/11/24