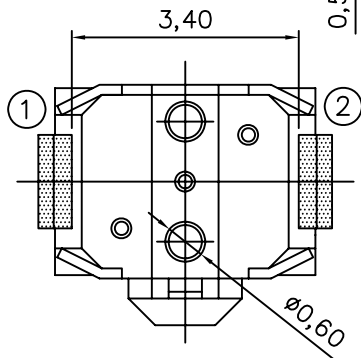
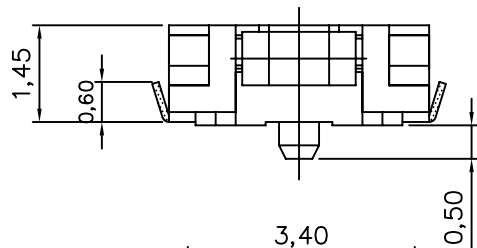
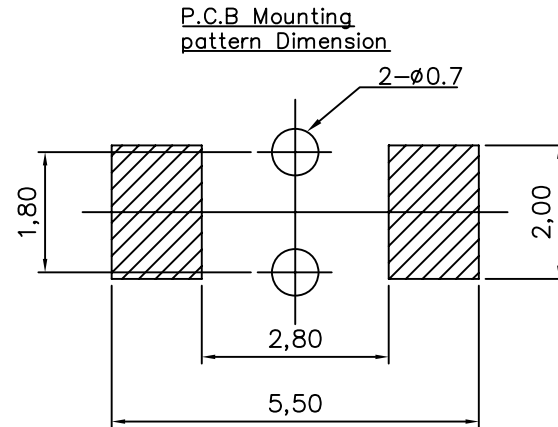
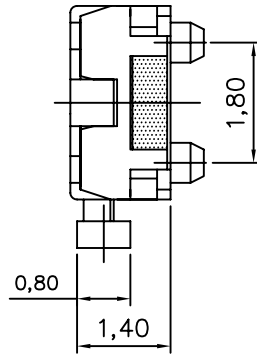
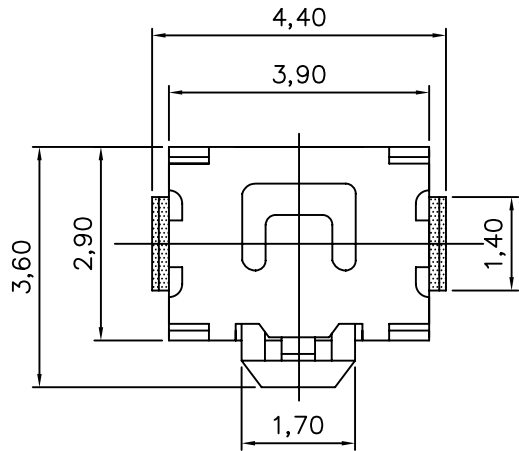


**RoHS**  
**Compatible**

△				
△				
△				
△				
ZONE	REV	DESCRIPTION	DATE	APPD.



Circuit diagram



Specification

1. Rating : 50mA, DC12V Max.
2. Circuit : 1C-1P.
3. Travel : 0.25±0.1mm
4. Contact resistance : 100mΩ Max.
5. Operating force : 160,250±50gf.
6. Operating life : 100,000 cycles Min

**達立科技股份有限公司**

**Dawning Precision Co., Ltd.**

TEL: 886-2-82271388 FAX: 886-2-82272198

DESIGN	Will	SCALE		
DRAWING	Will	UNIT	mm	
CHECK	Will	SIZE	A4: 210*297	
APPROVAL	Eric	VERSION	01	

TOLERANCE UNLESS OTHERWISE STATED(mm)
less than 10 — ±0.2
10~30 — ±0.3
30~100 — ±0.5
ANGIE — ±2°

PART NAME	TACT SWITCH
PART NO	TS-A15UE SERIES
DRAWING NO	
DATE	2008/08/24