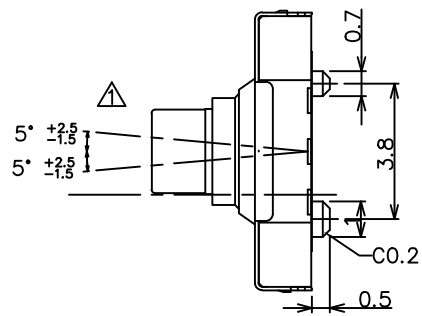
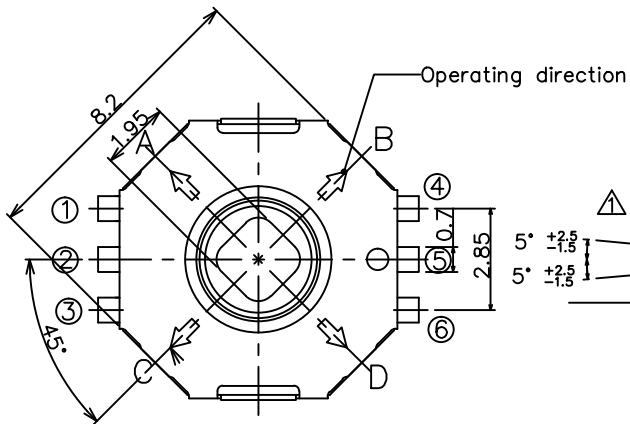


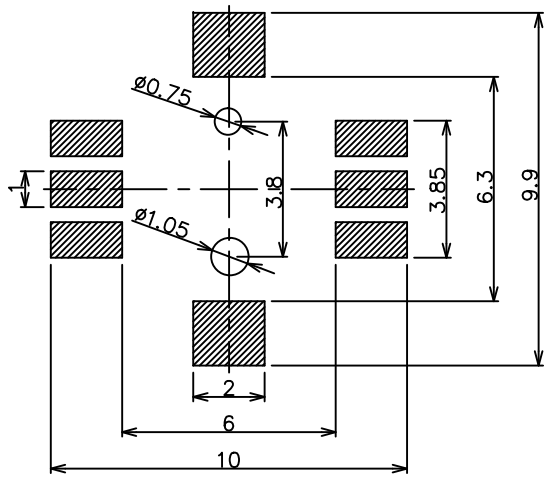
△				
△				
△				
△	1.	更改TRAVEL值	140915	Ross
ZONE	REV	DESCRIPTION	DATE	APPD.

發行  
2014.09.22  
達立

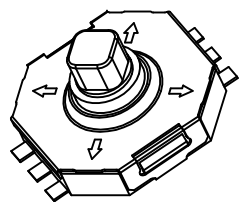
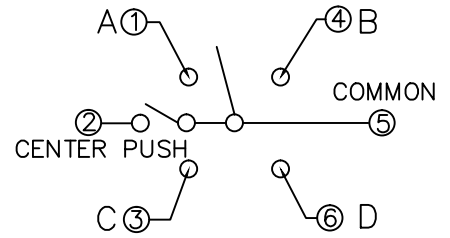
**RoHS**  
**Compatible**



P.C.B Mounting pattern Dimension

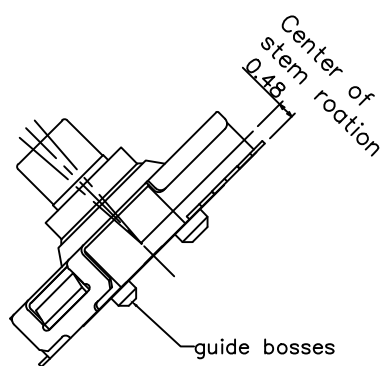
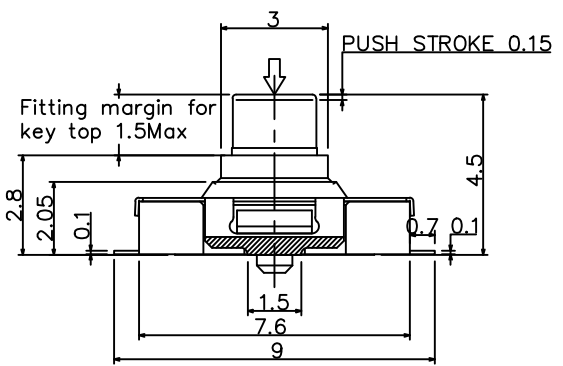


Circuit diagram



**Specifications**

- Rating : 50mA 12V DC
- Contact resistance : 100mΩ Max.
- Insulation resistance : 100MΩ Min, 100V DC
- Withstanding voltage : 250V AC for 1 minute.
- Operating force : 4-direction: 1.6N or 1.0N  
center push : 3.2N
- Operating life : 100,000 cycles
- Operating temperature range -20 to 70°
- Storage temperature range : -40 to 85°



7	BASE MOLD	LCP	1	
6	TERMINAL	PBR	1	Ag Plated
5	CONTACT BLADE	SUS	6	Ag Plated
4	DUST COVER	PI	1	Ag Plated
3	PUSH BOTTOM	LCP	1	
2	CAM	LCP	1	
1	COVER	SUS	1	
No.	Part Name	Material	Q'ty	Finishing

**達立科技股份有限公司**  
**Dawning Precision Co., Ltd.**  
TEL: 886-2-82271388 FAX: 886-2-82272198

DESIGN	Ross	SCALE	
DRAWING	Ross	UNIT	mm
CHECK	Elsa	SIZE	A4: 210*297
APPROVAL	Eric	VERSION	01

TOLERANCE UNLESS OTHERWISE STATED(mm)	PART NAME	MULTIFUNCTION SWITCH
less than 10 — ±0.2	PART NO	K08
10~30 — ±0.3	DRAWING NO	
30~100 — ±0.5	DATE	2014/09/22
ANGLE — ±2°		

www.dawning2.com.tw