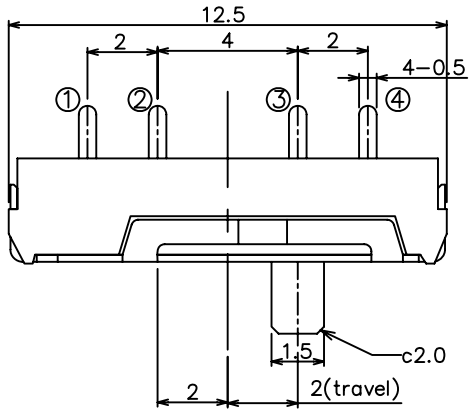
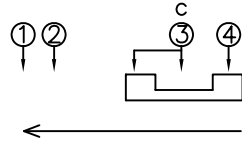


RoHS
Compatible

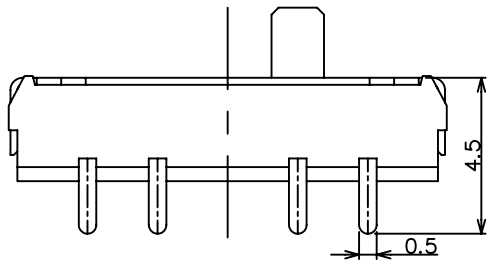
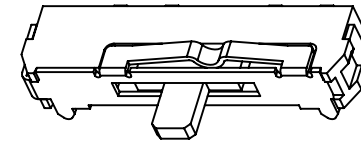
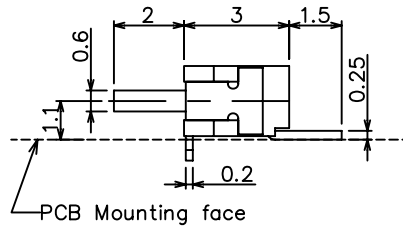
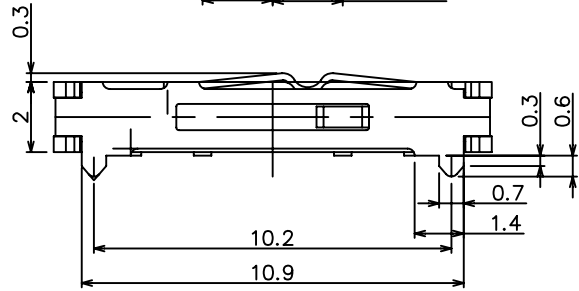
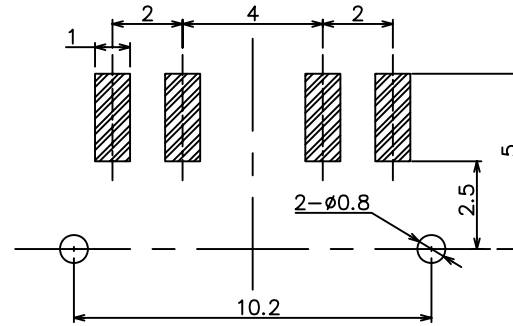
△				
△				
△				
△				
ZONE	REV	DESCRIPTION	DATE	APPD.



Circuit Diagram



P.C.B Mounting pattern Dimension



Specifications

1. Rating : DC 4V, 0.3A
2. Contact resistance : 70mΩ
3. Insulation resistance : 100MΩ
4. Withstanding voltage : 500 VAC 1minute
5. Operating face : refer to the dimenions
6. Operating life : 10,000 cycles
7. Operating temperature range : -10°C to +60°C
8. Storage temperature range : -25°C to +70°C
9. Operating force : C to R 230±100gf
R to C 180±100gf
C to L 200±100gf

達立科技股份有限公司

Dawning Precision Co., Ltd.

TEL: 886-2-82271388 FAX: 886-2-82272198

DESIGN	Will	SCALE		
DRAWING	Will	UNIT	mm	
CHECK	Will	SIZE	A4: 210*297	
APPROVAL	Eric	VERSION	01	

TOLERANCE UNLESS OTHERWISE STATED(mm)
less than 10 — ±0.2
10~30 — ±0.3
30~100 — ±0.5
ANGIE — ±2°

PART NAME	SILDE SWITCH
PART NO	SS-C70R-1-S009
DRAWING NO	
DATE	2009/09/21