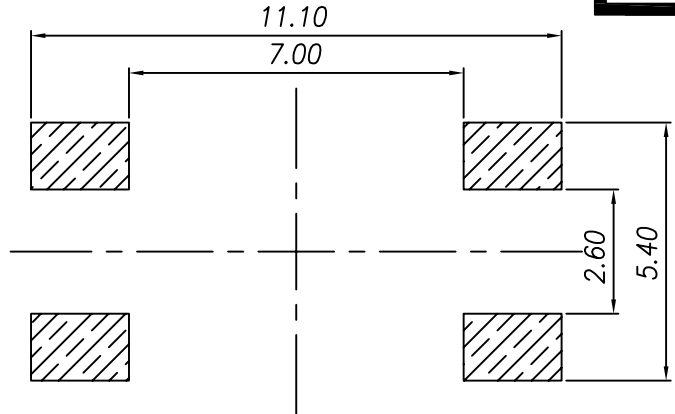


RoHS
Compatible

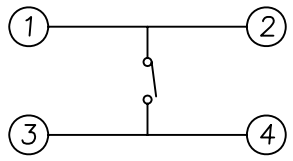
| | | | | |
|------|-----|-------------|------|-------|
| △ | | | | |
| △ | | | | |
| △ | | | | |
| △ | | | | |
| ZONE | REV | DESCRIPTION | DATE | APPD. |

Order Information:
TS-A10S- -S033
Force
Height

P.C.B Mounting
pattern Dimension



Circuit Diagram

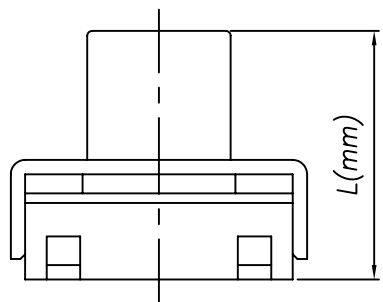
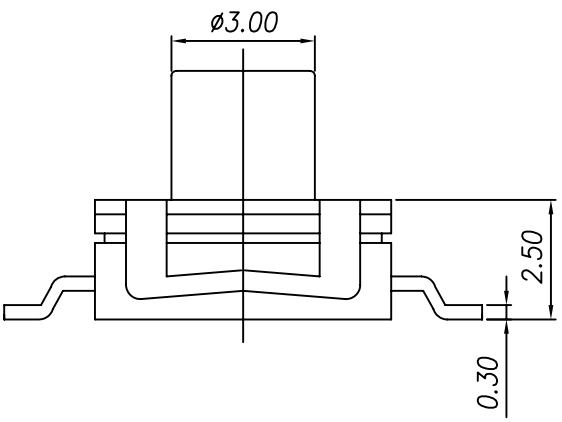
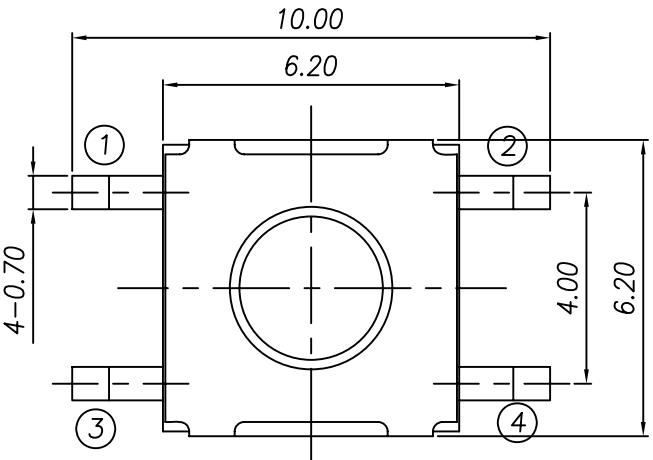


| Model# | L(mm) |
|----------|-------|
| TS-A10S2 | 3.5 |
| TS-A10S3 | 5.2 |
| TS-A10S4 | 4.7 |

Specification

1. Rating : 50mA, DC12V Max.
2. Contact resistance : 100mΩ Max.
3. Bounce : 10m sec Max.
4. Travel : 0.3±0.1mm.
- 5.

| Model# | Operating Force | Life Cycles |
|-----------|-----------------|---------------|
| TS-A10S-2 | 160±50gf | 80,000 Cycles |
| TS-A10S-3 | 200±50gf | 80,000 Cycles |
| TS-A10S-4 | 300±50gf | 50,000 Cycles |



| NO | Part Name | Material | Q"ty | Finishing |
|----|-----------|-----------------|------|-----------|
| 5 | Contact | Phosphor Bronze | 1 | Ag Clad |
| 4 | Stem | Silicon Rubber | 1 | - |
| 3 | Cover | Stainless | 1 | - |
| 2 | Terminal | Brass | 4 | Ag Plated |
| 1 | Case | Arlen | 1 | Black |

達立科技股份有限公司
Dawning Precision Co., Ltd.
TEL: 886-2-82271388 FAX: 886-2-82272198

| | | | | |
|----------|------|---------|-------------|--|
| DESIGN | Will | SCALE | | |
| DRAWING | Will | UNIT | mm | |
| CHECK | Will | SIZE | A4: 210*297 | |
| APPROVAL | Eric | VERSION | 01 | |

| | | |
|---------------------------------------|------------|----------------|
| TOLERANCE UNLESS OTHERWISE STATED(mm) | PART NAME | TACT SWITCH |
| less than 10 — ±0.2 | PART NO | TS-A10S SERIES |
| 10~30 — ±0.3 | DRAWING NO | |
| 30~100 — ±0.5 | DATE | 2011/02/16 |
| ANGIE — ±2° | | |

www.dawning2.com.tw