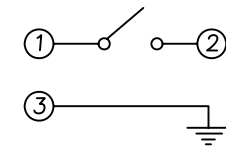


RoHS
Compatible

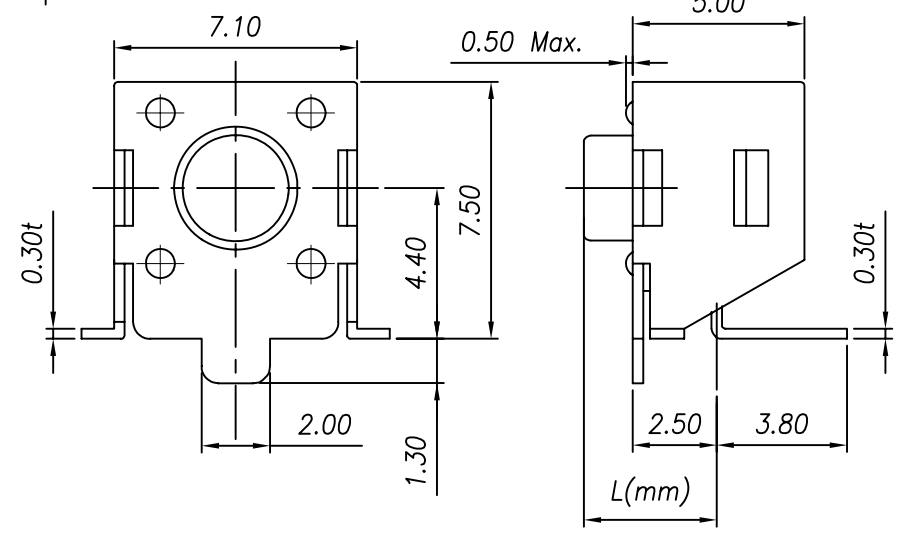
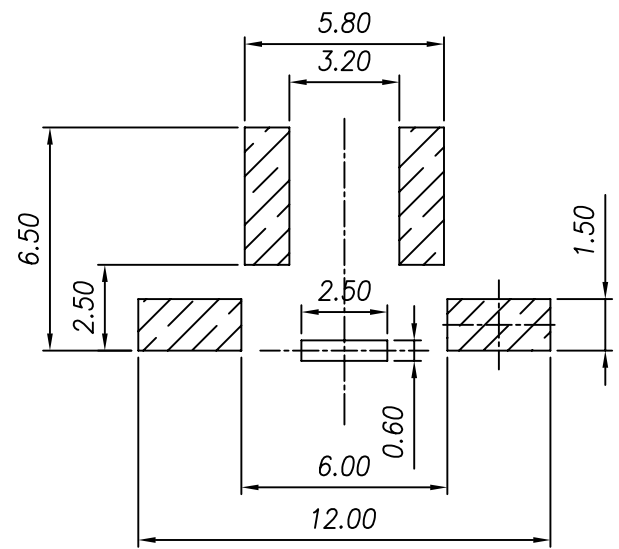
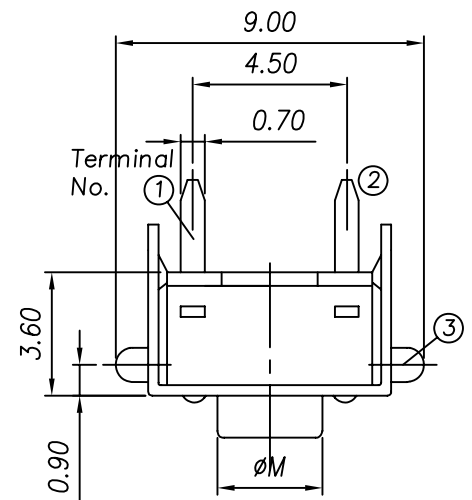
△				
△				
△				
△				
ZONE	REV	DESCRIPTION	DATE	APPD.

P.C.B Mounting
pattern Dimension

Circuit Diagram



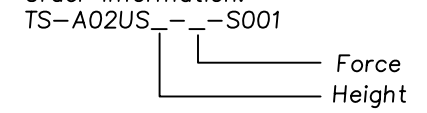
Model	L	M
TS-A02US	3.15	ø3.5
TS-A02USA	3.85	ø3.5
TS-A02USB	5.85	ø3.4
TS-A02USC	6.85	ø3.4
TS-A02USD	8.35	ø3.4
TS-A02USE	6.15	ø3.4
TS-A02USF	11.35	ø3.0
TS-A02USG	12.35	ø3.0
TS-A02USH	15.85	ø3.0
TS-A02USJ	15.15	ø3.0
TS-A02USR	7.35	ø3.4
TS-A02USK	11.85	ø3.0



Specifications

- Rating : DC12V, 50mA Max.
- Circuit : 1C-1P
- Travel : 0.25±0.1mm
- Contact resistance : 100mΩ Max.

Order Information:



Model	O/Force	O/Life
TS-A02US-2	160±50gf	100,000 cycles
TS-A02US-3	250±50gf	100,000 cycles

5	Contact	Phosphor Bronze	1	Ag Clad
4	Stem	PA6T	1	Black
3	Bracket	SPTe	1	Sn Plated
2	Terminal	Brass	2	Ag Plated
1	Case	PA6T	1	Black
NO	Part Name	Material	Q"ty	Finishing

達立科技股份有限公司
Dawning Precision Co., Ltd.
TEL: 886-2-82271388 FAX: 886-2-82272198

DESIGN	Will	SCALE	
DRAWING	Will	UNIT	mm
CHECK	Will	SIZE	A4: 210*297
APPROVAL	Eric	VERSION	01

TOLERANCE UNLESS OTHERWISE STATED(mm)	PART NAME	TACT SWITCH
less than 10 — ±0.3	PART NO	TS-A02US SERIES
10~30 — ±0.4	DRAWING NO	
30~100 — ±0.5	DATE	2012/05/21
ANGIE — ±2°		