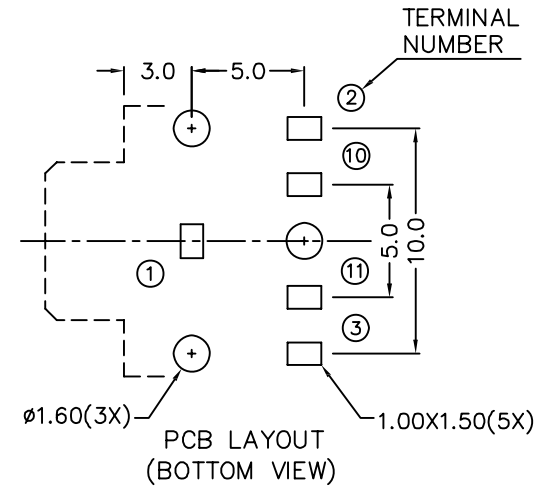
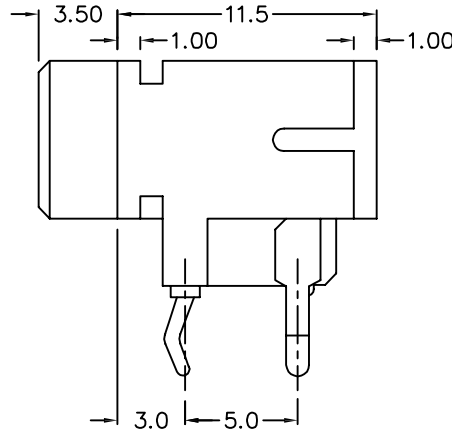
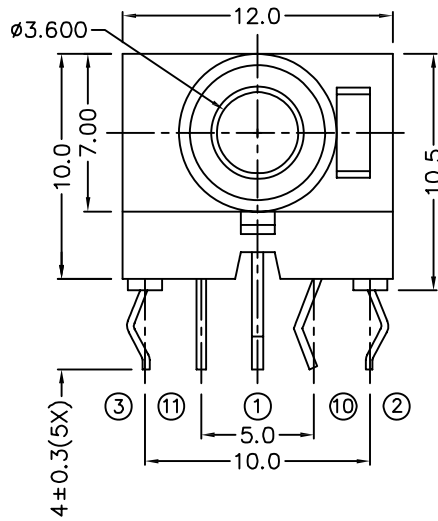
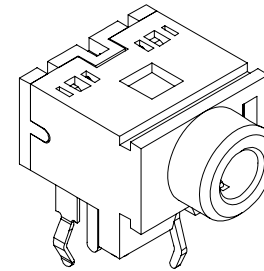
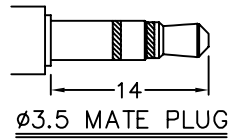


**RoHS**  
**Compatible**

▲				
▲				
▲				
▲				
ZONE	REV	DESCRIPTION	DATE	APPD.



MODEL NO.	PJ-3565	PJ-3564A	PJ-3564B	PJ-3563	PJ-3563A	PJ-3562
SCHEMATIC						

\* MATERIAL

TERMINAL 1 : BRASS  
TERMINAL 2 : COPPER ALLOY  
TERMINAL 3 : COPPER ALLOY  
TERMINAL 10 : BRASS  
TERMINAL 11 : BRASS  
HOUSING : PBT  
COVER : PBT

**達立科技股份有限公司**

**Dawning Precision Co., Ltd.**

TEL: 886-2-82271388 FAX: 886-2-82272198

DESIGN	Will	SCALE		
DRAWING	Will	UNIT	mm	
CHECK	Will	SIZE	A4: 210*297	
APPROVAL	Eric	VERSION	01	

TOLERANCE UNLESS OTHERWISE STATED(mm)
less than 10 — ±0.2
10~30 — ±0.3
30~100 — ±0.5
ANGIE — ±2°

PART NAME	PHONE JACK
PART NO	PJ-356 SERIES
DRAWING NO	
DATE	2009/11/24