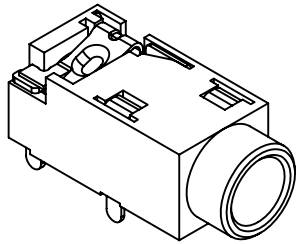
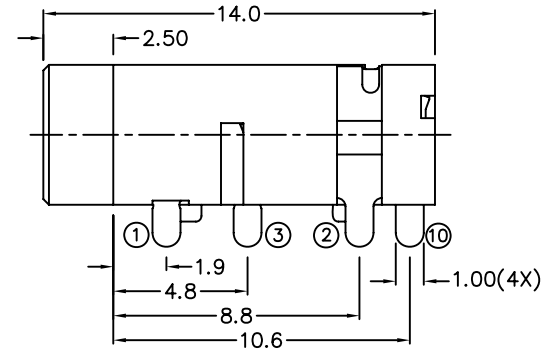
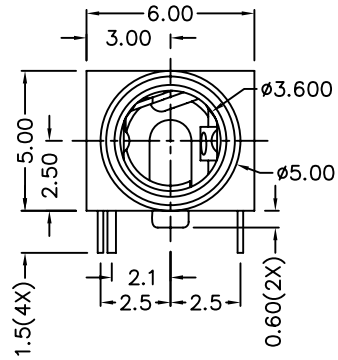
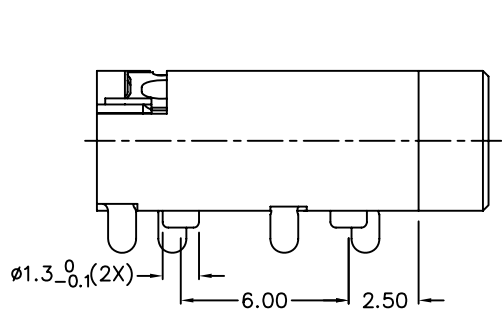
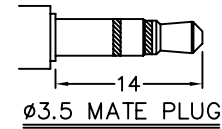


**RoHS**  
**Compatible**

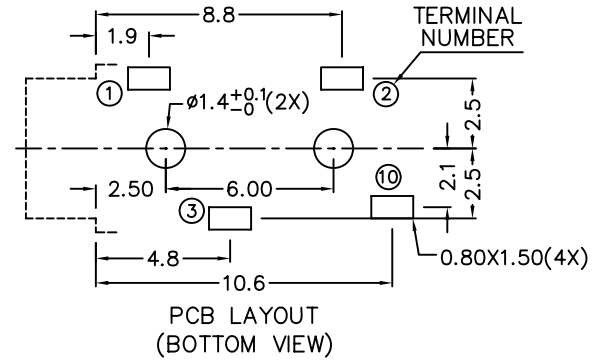
△				
△				
△				
△				
ZONE	REV	DESCRIPTION	DATE	APPD.



**\* MATERIAL**

TERMINAL 1 : COPPER ALLOY  
TERMINAL 2 : COPPER ALLOY  
TERMINAL 3 : COPPER ALLOY  
TERMINAL 10 : BRASS  
HOUSING : PA66

MODEL NO.	PJ-3814-5	PJ-3813-5	PJ-3813A-5
SCHEMATIC			



**達立科技股份有限公司**

**Dawning Precision Co., Ltd.**

TEL: 886-2-82271388 FAX: 886-2-82272198

DESIGN	Will	SCALE		
DRAWING	Will	UNIT	mm	
CHECK	Will	SIZE	A4: 210*297	
APPROVAL	Eric	VERSION	01	

TOLERANCE UNLESS OTHERWISE STATED(mm)
less than 10 $\pm 0.2$
10~30 $\pm 0.3$
30~100 $\pm 0.5$
ANGIE $\pm 2^\circ$

PART NAME	PHONE JACK
PART NO	PJ-381 SERIES
DRAWING NO	
DATE	2009/11/24