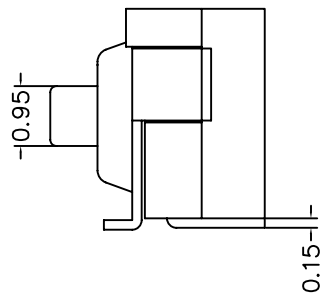
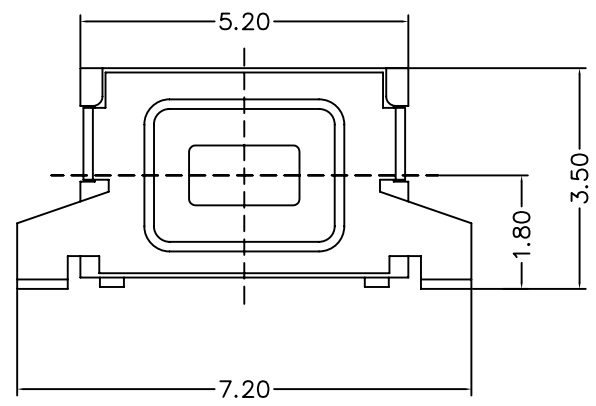


**RoHS**  
**Compatible**

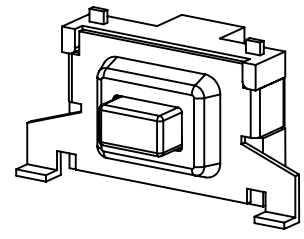
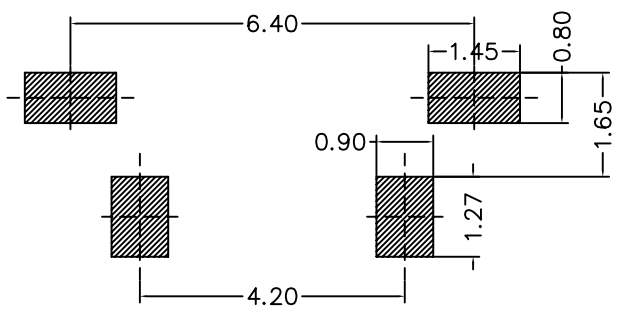
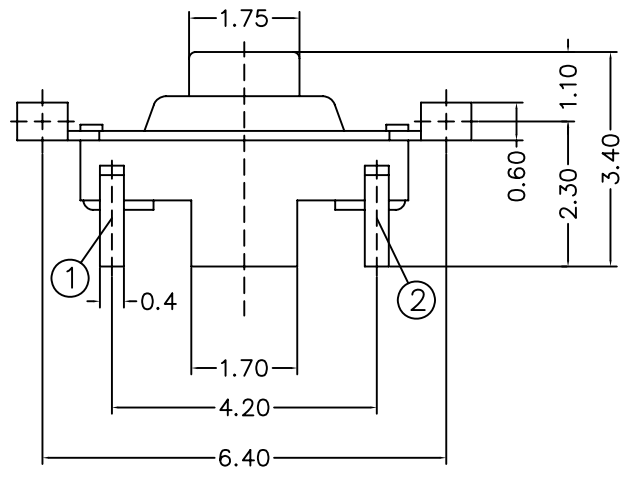
△				
△				
△				
△				
ZONE	REV	DESCRIPTION	DATE	APPD.



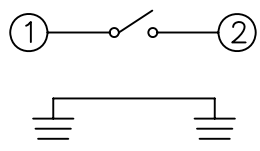
Specification

1. Rating : 12V DC. 50mA Max.
2. Stroke : 0.3 ±0.15mm.
3. Contact resistance : 100mΩ Max.
4. Operating force : 220±40gf.
5. Operating life : 250,000 cycles.

P.C.B Mounting pattern Dimension



Circuit Diagram



NO	PART NAME	MATERIAL	Q'TY	FINISHING
1	BUTTON	POLYAMIDE RESIN	1	BLACK
2	FRAME	PHOSPHOR BRONZE PLATE	1	Tin PLATED
3	CASE	POLYAMIDE RESIN	1	BLACK
4	TERMINAL	PHOSPHOR BRONZE PLATE	2	SILVER PLATE 0.5μ
5	CONTACT	STAINLESS STEEL	3	SILVER PLATE 0.5μ

**達立科技股份有限公司**  
**Dawning Precision Co., Ltd.**  
TEL: 886-2-82271388 FAX: 886-2-82272198

DESIGN	Will	SCALE		
DRAWING	Will	UNIT	mm	
CHECK	Will	SIZE	A4: 210*297	
APPROVAL	Eric	VERSION	01	

TOLERANCE UNLESS OTHERWISE STATED(mm)	PART NAME	TACT SWITCH
less than 10 — ±0.2	PART NO	TS-A10-INT-3
10~30 — ±0.3	DRAWING NO	
30~100 — ±0.5	DATE	2010/03/09
ANGIE — ±2'		