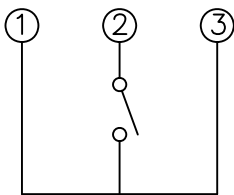


△				
△				
△				
△	02	Modify△dimension	04/22/14	Sean
ZONE	REV	DESCRIPTION	DATE	APPD.

Circuit diagram

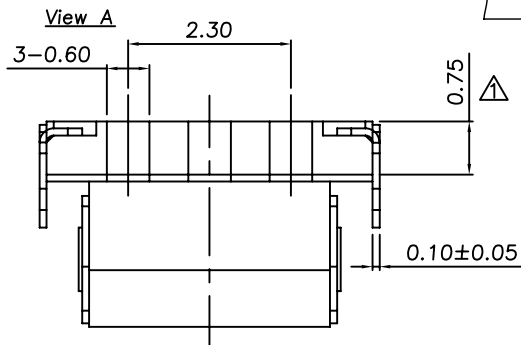
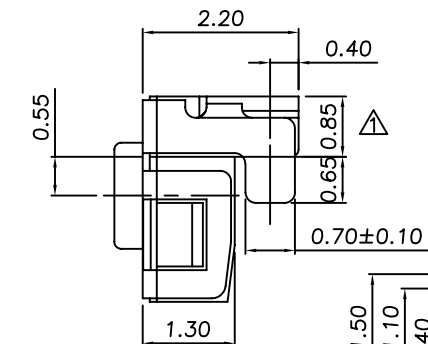
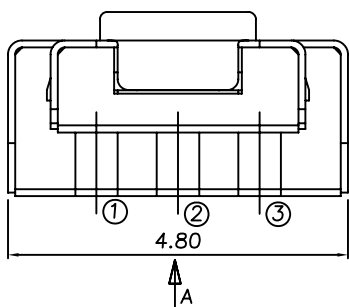
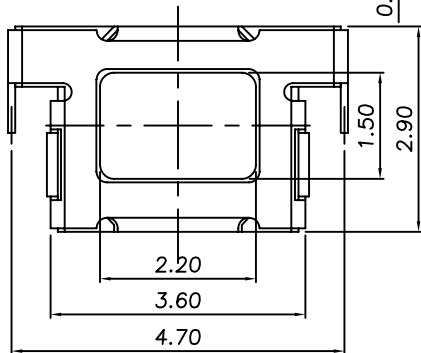
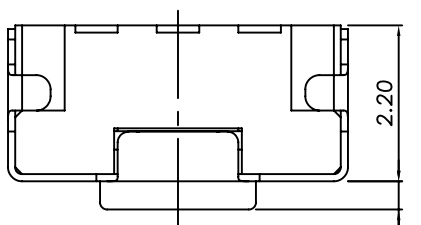


Specification

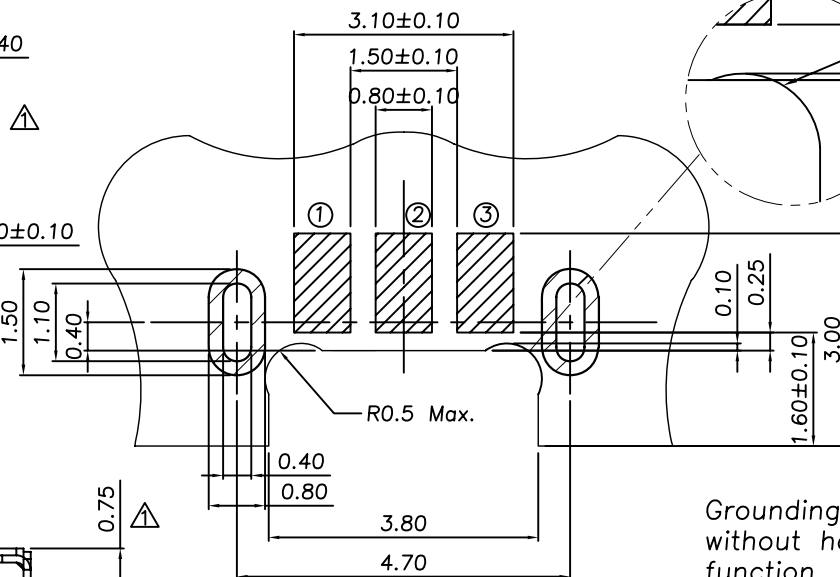
1. Rating : DC 12V 50mA Max.
2. Contact resistance : 100mΩ Max.
3. Insulation resistance : 100MΩ Min.
4. Travel : 0.15±0.1mm
5. Operating life : 100,000 cycles Min.
6. Operating force: 160±50g



1
2
3
4



P.C.B Mounting pattern Dimension



Dimension for reference

Grounding pin is fixed pin, without have a grounding function

6	Cover	Stainless Steel	1	Ag Plate
5	Stem	Liquid Crystal Polymer	1	UL 94V-0 (Black)
4	Dust Cover	PI Film	1	
3	Contact	Stainless Steel	1	Ag Plate
2	Terminal	Brass	3	Ag Plate
1	Case	Liquid Crystal Polymer	1	UL 94V-0 (Black)
No.	Part Name	Material	Q'ty	Finishing

達立科技股份有限公司

Dawning Precision Co.,Ltd.

TEL: 886-2-82271388 FAX: 886-2-82272198

DESIGN	Sean	SCALE		
DRAWING	Sean	UNIT	mm	
CHECK	Sean	SIZE	A4: 210*297	
APPROVAL	Eric	VERSION	02	

TOLERANCE UNLESS OTHERWISE STATED(mm)

less than 10	±0.2
10~30	±0.3
30~100	±0.5
ANGLE	±2°

PART NAME	TACT SWITCH
PART NO	TSS22-HG-160-T35
DRAWING NO	
DATE	2013/12/31

F E D C B A