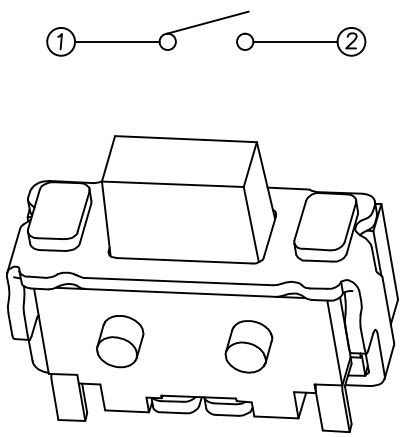


△				
△				
△				
△				
ZONE	REV	DESCRIPTION	DATE	APPD.

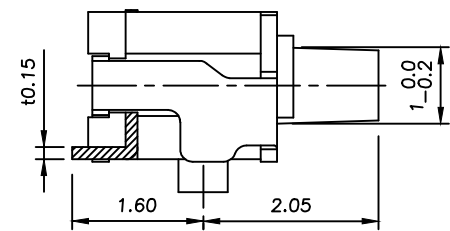
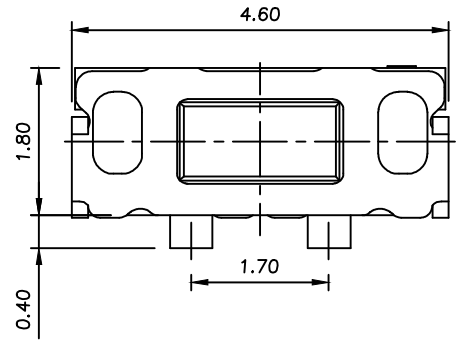
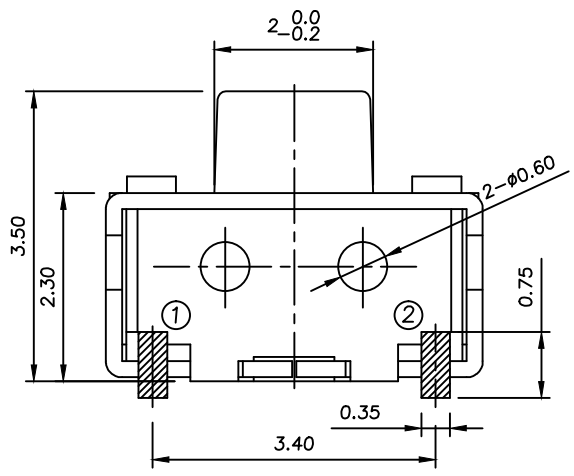
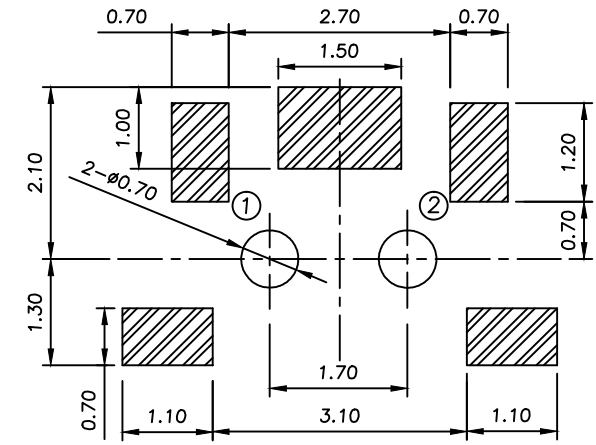
研發
2015.07.02
達立

RoHS
Compatible

Circuit diagram



P.C.B Mounting pattern Dimension



Specifications

1. Rating : 50mA, DC12V Max.
2. Travel : 0.2±0.1mm
3. Contact resistance : 100mΩ Max.
4. Insulation resistance: 100MΩ Min.
5. Operating force: 160±50gf
6. Operating life : 100,000 cycles Min.

5	Contact	SUS	2	Ag Clad
4	Stem	LCP	1	Black
3	Cover	PBS	1	Ag Plated
2	Terminal	PBS	1	Ag Plated
1	Case	LCP	1	White
NO	Part Name	Material	Q"ty	Finishing

達立科技股份有限公司

Dawning Precision Co.,Ltd.

TEL: 886-2-82271388 FAX: 886-2-82272198

DESIGN	Ross	SCALE		⊕
DRAWING	Sean	UNIT	mm	
CHECK	Elsa	SIZE	A4: 210*297	
APPROVAL	Eric	VERSION	01	

TOLERANCE UNLESS OTHERWISE STATED(mm)	PART NAME	TACT SWITCH
less than 10 — ±0.1	PART NO	TS-A00-2-S085
10~30 — ±0.2	DRAWING NO	
30~100 — ±0.15	DATE	2015/07/02
ANGIE — ±2°		