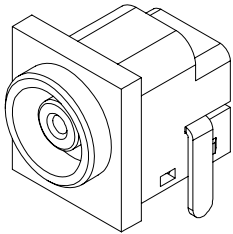
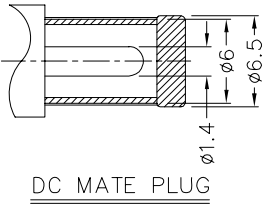
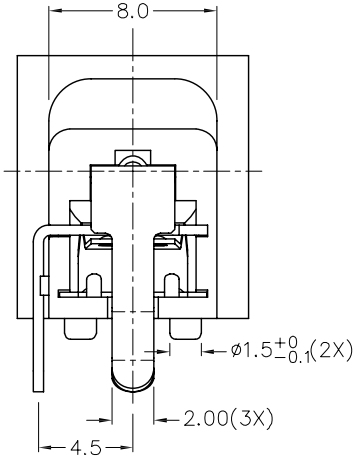
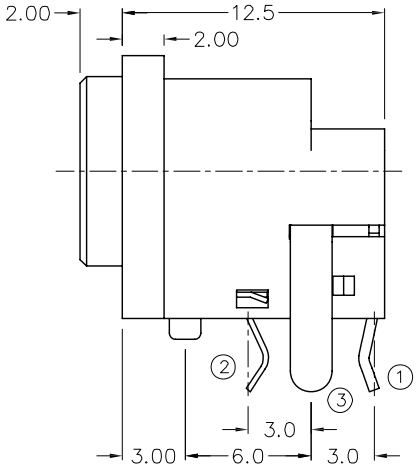
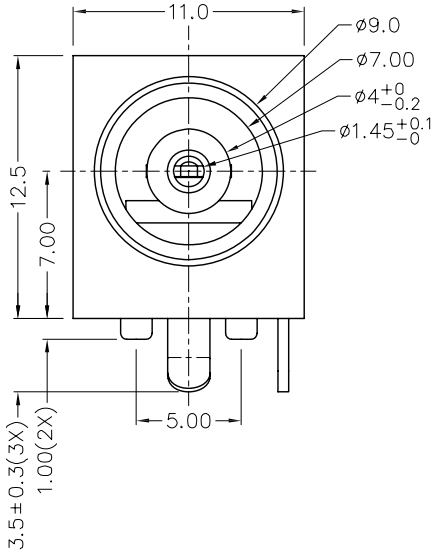


**RoHS**  
**Compatible**

發行  
2009.08.17  
達立

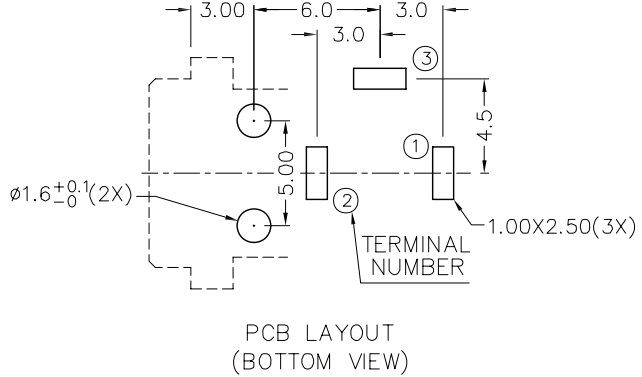


▲				
▲				
▲				
▲				
ZONE	REV	DESCRIPTION	DATE	APPD.



\* MATERIAL  
 TERMINAL 1 : BRASS  
 TERMINAL 2 : COPPER ALLOY  
 TERMINAL 3 : BRASS  
 HOUSING : PBT

MODEL NO.	DC-049-2
SCHMATIC	



**達立科技股份有限公司**  
**Dawning Precision Co., Ltd.**  
 TEL: 886-2-82271388 FAX: 886-2-82272198

DESIGN	Will	SCALE		
DRAWING	Will	UNIT	mm	
CHECK	Will	SIZE	A4: 210*297	
APPROVAL	Eric	VERSION	01	

TOLERANCE UNLESS OTHERWISE STATED(mm)	PART NAME	DC POWER SOCKET
less than 10 — ±0.2	PART NO	DC-049-2
10~30 — ±0.3	DRAWING NO	
30~100 — ±0.5	DATE	2009/06/09
ANGIE — ±2°		