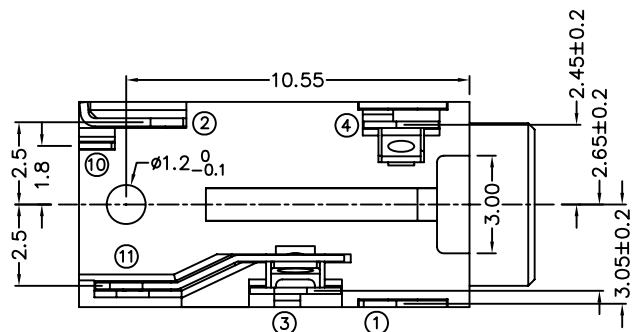
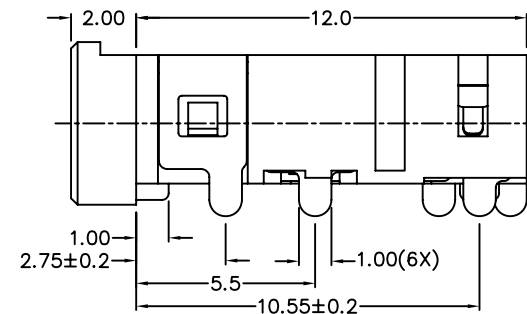
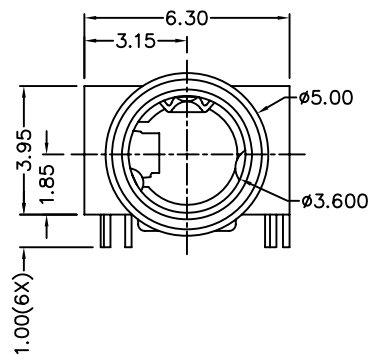
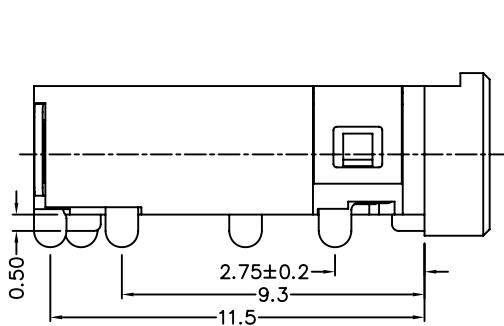
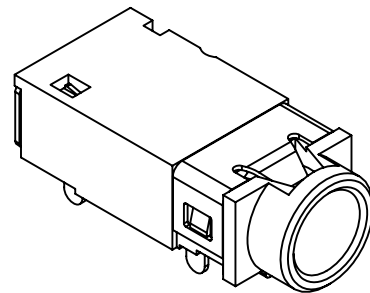
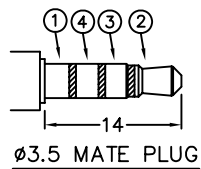
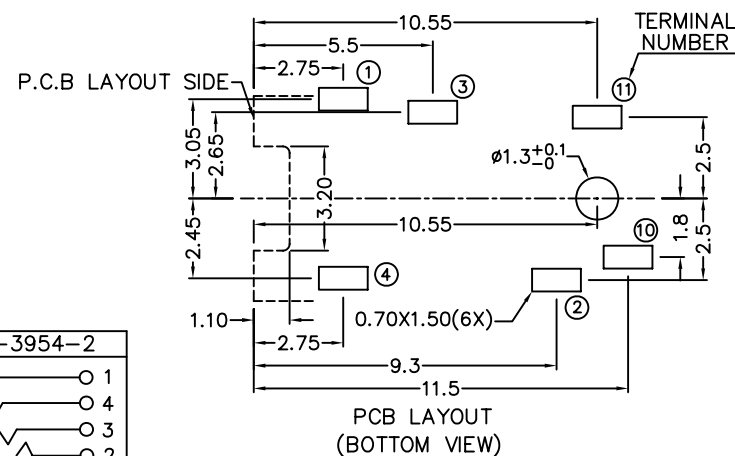


△				
△				
△				
△				
ZONE	REV	DESCRIPTION	DATE	APPD.

RoHS
Compatible



- * MATERIAL
 TERMINAL 1 : COPPER ALLOY
 TERMINAL 2 : COPPER ALLOY
 TERMINAL 3 : COPPER ALLOY
 TERMINAL 4 : COPPER ALLOY
 TERMINAL 10: COPPER ALLOY
 TERMINAL 11: COPPER ALLOY
 HOUSING : PA6T



MODEL NO.	PJ-3956-2	PJ-3955A-2	PJ-3955B-2	PJ-3954-2
SCHEMATIC				

達立科技股份有限公司
Dawning Precision Co., Ltd.
 TEL: 886-2-82271388 FAX: 886-2-82272198

DESIGN	Will	SCALE		
DRAWING	Will	UNIT	mm	
CHECK	Will	SIZE	A4: 210*297	
APPROVAL	Eric	VERSION	01	

TOLERANCE UNLESS OTHERWISE STATED(mm)	
less than 10	±0.2
10~30	±0.3
30~100	±0.5
ANGIE	±2°

PART NAME	PHONE JACK
PART NO	PJ-395-2 SERIES
DRAWING NO	
DATE	2009/11/30